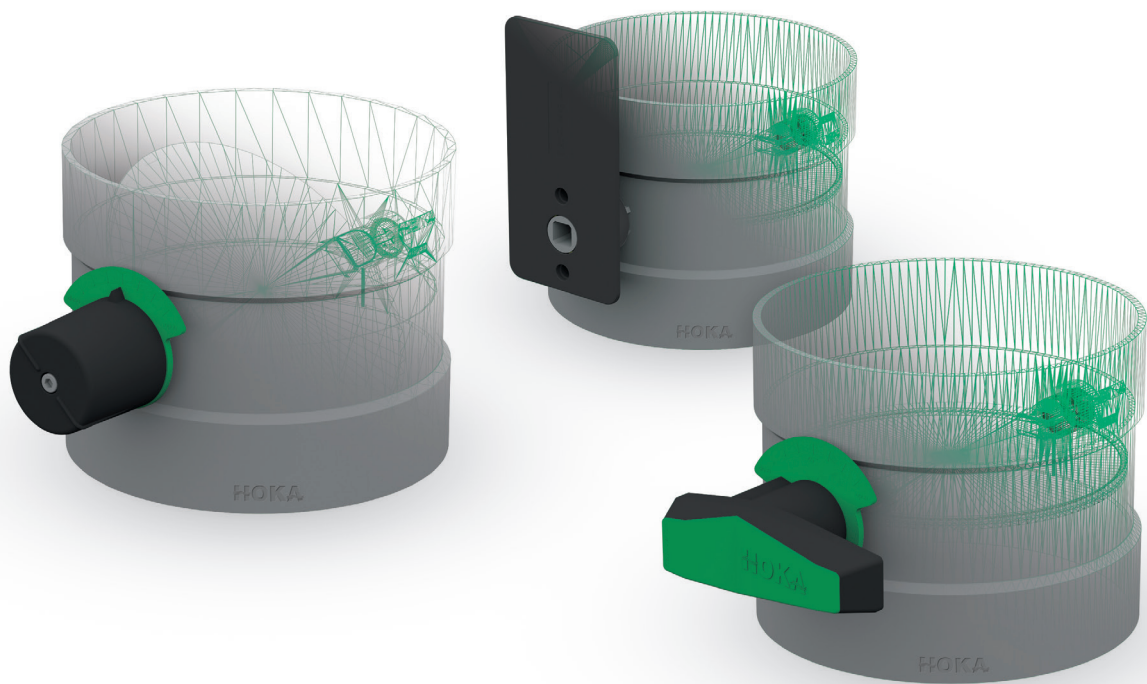


THE FOURTH GENERATION OF DAMPER VALVES

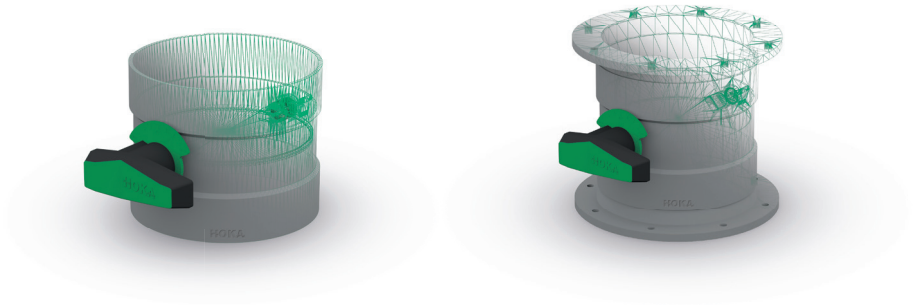


HOKA

HOKA DAMPER VALVES

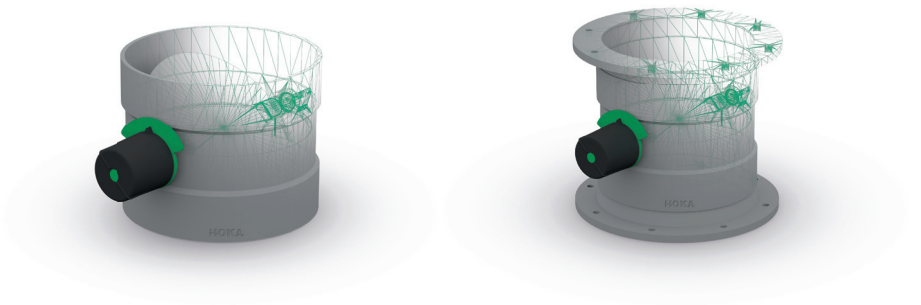
HoKa Damper valve with handle

Equipped with a 15° grate



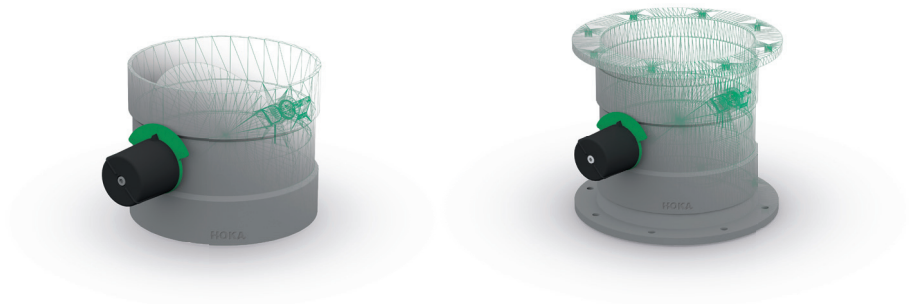
HoKa Damper valve with control knob

Equipped with a 15° grate



HoKa Damper valve adjustable

with lockable knob



Proven quality refined

We are proud to present the fourth generation of HoKa damper valves. When developing these new damper valves, we drew upon the proven quality of previous generations but adapted them still further to our customers' wishes and to the advances made in injection moulding technology.

The new design of our HoKa damper valves is technically as well as aesthetically superior. We have also created an option with which damper valves can be converted into control valves just in a few steps. It is done using a new, injection-moulded engine mounting plate.

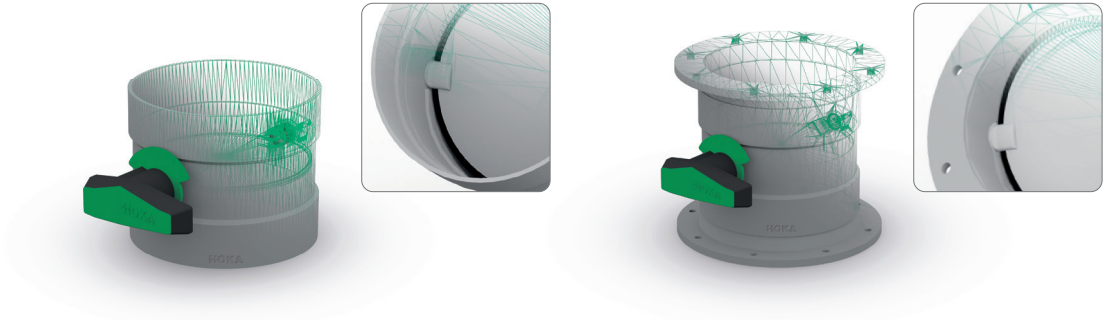
This enables us to provide our customers with a high level of flexibility.

HOKA BUTTERFLY VALVES

Manufactured according to DIN 1946, part 4

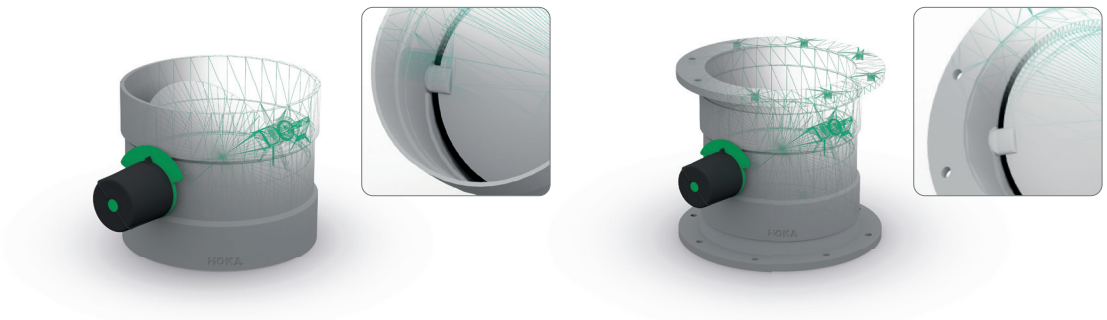
HoKa Butterfly valve with handle

Equipped with a 15° grate



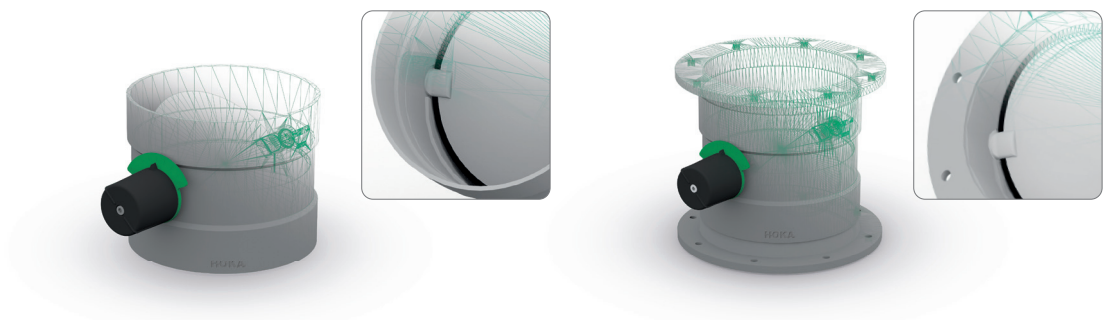
HoKa Butterfly valve with control knob

Equipped with a 15° grate



HoKa Butterfly valve adjustable

with lockable knob



In keeping with the motto "Made in Germany", we manufacture all of our own damper valves from Ø 50 mm to Ø 400 mm in size on our premises using injection moulding techniques to the highest quality standards.

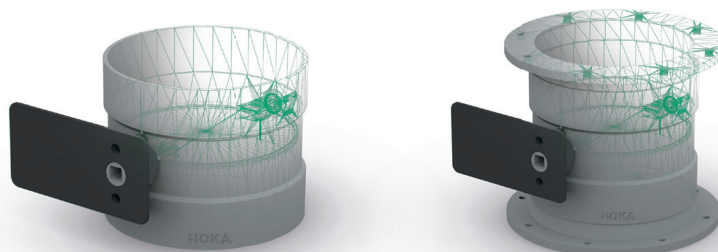
Materials: All valves are available in PVC, PVC white, PPs, PP-H, PE-HD, PP-EL-s and PVDF.



HOKA CONTROL VALVES

HoKa Control valve fit for motor

Includes a new, injection-moulded engine mounting plate designed for all common motors that is bolted to the control valve when ordered with a motor or prepared for an actuator. Also available with vertical engine mounting plate.

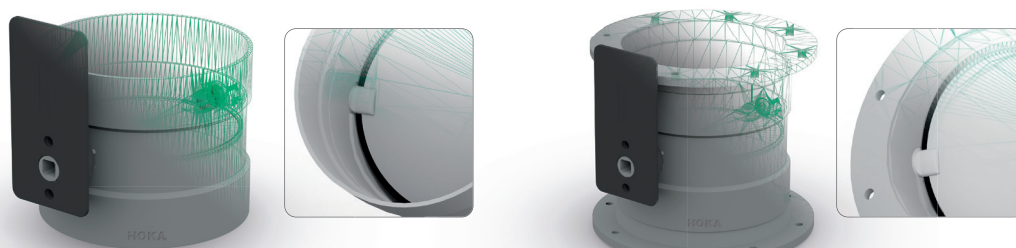


HOKA CONTROL BUTTERFLY VALVES

Manufactured according to DIN 1946, part 4

HoKa Control butterfly valve fit for motor

Includes a new, injection-moulded engine mounting plate designed for all common motors that is bolted to the control valve when ordered with a motor or prepared for an actuator. Also available with vertical engine mounting plate.



HoKa Gesellschaft für Lüftungsformteile aus Kunststoffen mbH

Reutherstrasse 12 · 53773 Hennef, Germany

Phone: +49 2242 9251-0

E-mail: hoka@hoka.de · www.hoka.de

