



**EMERGENCY EYE AND BODY SHOWER**

## TECHNICAL INFORMATION

In compliance with: UNI9608 - UNI10271 - DIN 12899 part. 2 - ANSI Z 358.1/2004 - EN 15154/1

Materials and construction methods, grant an appropriate flow-rate of erogated water, as also a very good quality of the water, and a very good decontamination and cleaning of hte body, and of the eyes. alle the models are build using Steel, Brass, ABS, and the external finishing are epoxy powder coating, chemical nikel plating, and plastic, this just for grant a long life to the products also in very aggressive places. Eye showers have a flow rate total of 14 liters/minute (minimun required is 6 liters/minute), and the emergency showers have a flow rate of more than 120 liters/minute (minimun required is 100 liters/minute).

Emergency showers must be installed at a maximum distance of 7-8 meters from the access point, and fair away from electricity sources. The emergency showers must be installed at an height between 2100 mm and 2300 mm from the floor (UNI norm 9608), and the eye showers must be installed at an height between 800 mm and 1150 mm from the floor (UNI norm 9608).

Water inlet temperature have to be between 15° and 35°, ad must be used in the beginning of the line a cleaner filter (UNI norm 9608).

**APPLICATION**

Vertical mounting

**DETAILS**

Test pressure: 9 Bars/air  
 Max working pressure: 10 Bars  
 Flow rate limited to 50 L/min

**SURFACE PROTECTION**

Epoxy painted/Nichel plating

**MATERIALS**

Brass  
 ABS  
 Stainless steel

**HEADWORK SEALING**

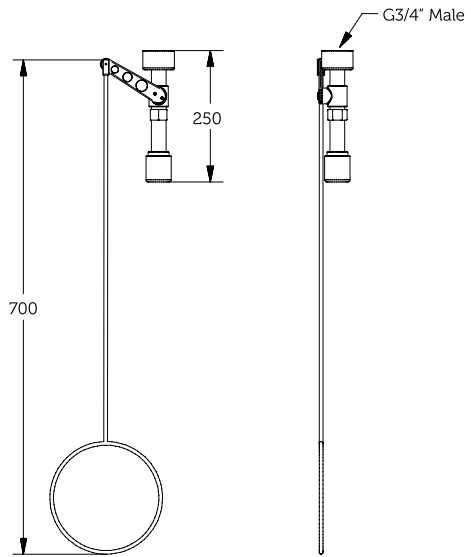
PTFE temperature working range: 0-70°

**CONNECTION TAP**

G3/4" male

**STANDARD AND NORMS**

DIN 4844-2-D and BGV A8 sign for body shower  
 DIN EN 15154-1:2006  
 DIN 12899-3:2009  
 ANSI Z358.1-2004



WARRANTY 2 YEARS

**APPLICATION**

Vertical mounting

**DETAILS**

Test pressure: 9 Bars/air  
 Max working pressure: 10 Bars  
 Flow rate limited to 50 L/min

**SURFACE PROTECTION**

Epoxy painted/Nichel plating

**MATERIALS**

Brass  
 ABS  
 Stainless steel

**HEADWORK SEALING**

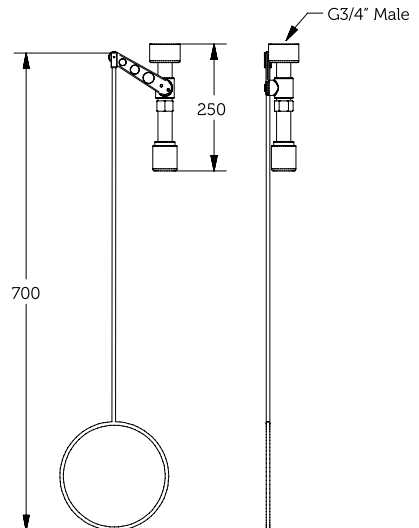
PTFE temperature working range: 0-70°

**CONNECTION TAP**

G3/4" male

**STANDARD AND NORMS**

DIN 4844-2-D and BGV A8 sign for body shower  
 DIN EN 15154-1:2006  
 DIN 12899-3:2009  
 ANSI Z358.1-2004



WARRANTY 2 YEARS

**APPLICATION**

Orizzontal mounting

**DETAILS**

Test pressure: 9 Bars/air

Max working pressure: 10 Bars

Flow rate limited to 50 L/min

**SURFACE PROTECTION**

Epoxy painted/Nichel plating

**MATERIALS**

Brass

ABS

Stainless steel

**HEADWORK SEALING**

PTFE temperature working range: 0-70°

**CONNECTION TAP**

G3/4" male

**STANDARD AND NORMS**

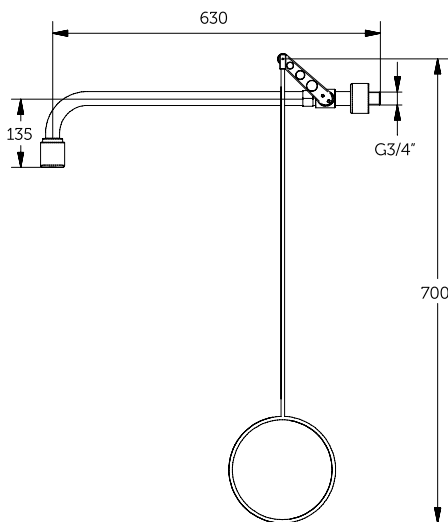
DIN 4844-2-D and BGV A8

sign for body shower

DIN EN 15154-1:2006

DIN 12899-3:2009

ANSI Z358.1-2004



WARRANTY 2 YEARS

**APPLICATION**

Orizzontal mounting

**DETAILS**

Test pressure: 9 Bars/air  
 Max working pressure: 10 Bars  
 Flow rate limited to 50 L/min

**SURFACE PROTECTION**

Epoxy painted/Nichel plating

**MATERIALS**

Brass  
 ABS  
 Stainless steel

**HEADWORK SEALING**

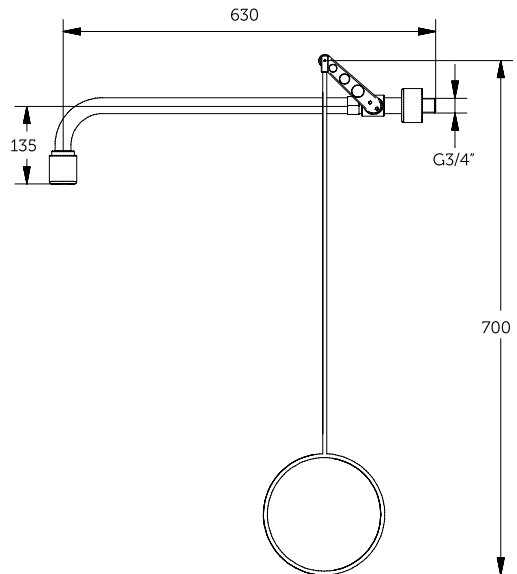
PTFE temperature working range: 0-70°

**CONNECTION TAP**

G3/4" male

**STANDARD AND NORMS**

DIN 4844-2-D and BGV A8 sign for body shower  
 DIN EN 15154-1:2006  
 DIN 12899-3:2009  
 ANSI Z358.1-2004



**WARRANTY 2 YEARS**

**APPLICATION**

Orizzontal mounting

**DETAILS**

Test pressure: 9 Bars/air  
 Max working pressure: 10 Bars  
 Flow rate limited to 50 L/min

**SURFACE PROTECTION**

Epoxy painted/Nichel plating

**MATERIALS**

Brass  
 ABS  
 Stainless steel

**HEADWORK SEALING**

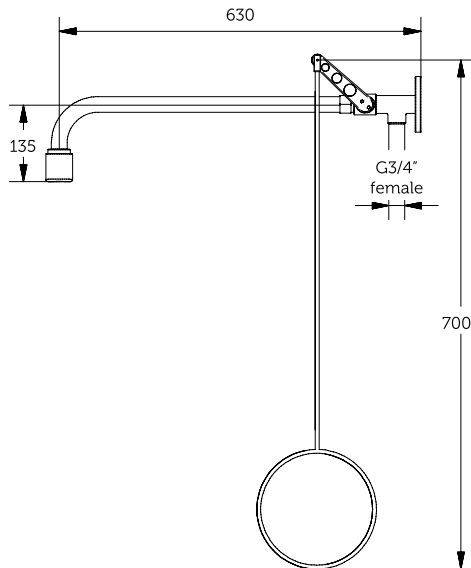
PTFE temperature working range: 0-70°

**CONNECTION TAP**

G3/4" female

**STANDARD AND NORMS**

DIN 4844-2-D and BGV A8 sign for body shower  
 DIN EN 15154-1:2006  
 DIN 12899-3:2009  
 ANSI Z358.1-2004



WARRANTY 2 YEARS

**APPLICATION**

Orizzontal mounting

**DETAILS**

Test pressure: 9 Bars/air  
 Max working pressure: 10 Bars  
 Flow rate limited to 50 L/min

**SURFACE PROTECTION**

Epoxy painted/Nichel plating

**MATERIALS**

Brass  
 ABS  
 Stainless steel

**HEADWORK SEALING**

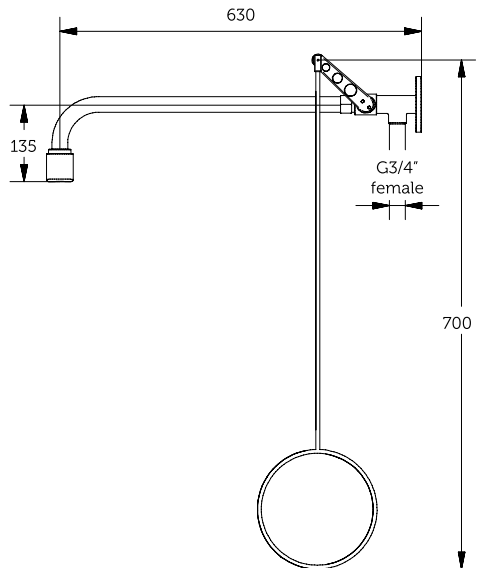
PTFE temperature working range: 0-70°

**CONNECTION TAP**

G3/4" female

**STANDARD AND NORMS**

DIN 4844-2-D and BGV A8 sign for body shower  
 DIN EN 15154-1:2006  
 DIN 12899-3:2009  
 ANSI Z358.1-2004



**WARRANTY 2 YEARS**



**APPLICATION**

Floor mounting

**DETAILS**

Test pressure: 9 Bars/air  
 Max working pressure: 10 Bars  
 Flow rate limited to 50 L/min

**SURFACE PROTECTION**

Epoxy painted/Nichel plating

**MATERIALS**

Brass  
 ABS  
 Stainless steel

**HEADWORK SEALING**

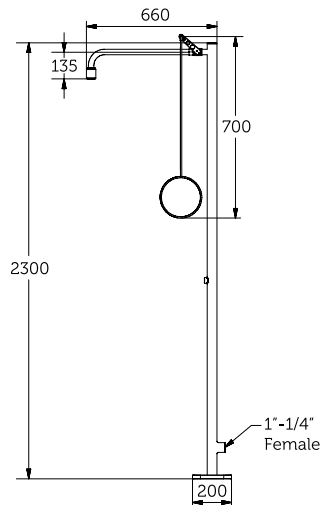
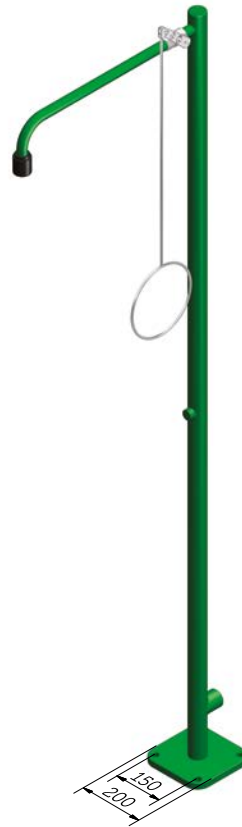
PTFE temperature working range: 0-70°

**CONNECTION TAP**

G 1"-1/4" female

**STANDARD AND NORMS**

DIN 4844-2-D and BGV A8 sign for body shower  
 DIN EN 15154-1:2006  
 DIN 12899-3:2009  
 ANSI Z358.1-2004



**WARRANTY 2 YEARS**

**APPLICATION**

Floor mounting

**DETAILS**

Test pressure: 9 Bars/air  
 Max working pressure: 10 Bars  
 Flow rate limited to 50 L/min

**SURFACE PROTECTION**

Epoxy painted/Nichel plating

**MATERIALS**

Brass  
 ABS  
 Stainless steel

**HEADWORK SEALING**

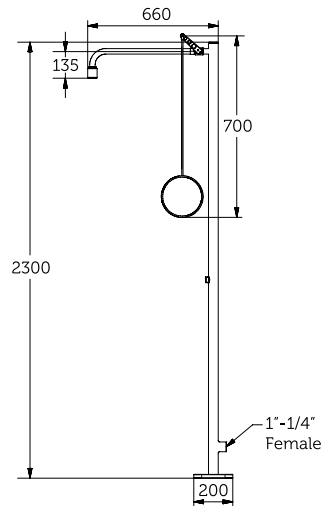
PTFE temperature working range: 0-70°

**CONNECTION TAP**

G 1"-1/4" female

**STANDARD AND NORMS**

DIN 4844-2-D and BGV A8 sign for body shower  
 DIN EN 15154-1:2006  
 DIN 12899-3:2009  
 ANSI Z358.1-2004



**WARRANTY 2 YEARS**

**APPLICATION**

Floor mounting

**DETAILS**

Test pressure: 9 Bars/air  
 Max working pressure: 10 Bars  
 Flow rate limited to 50 L/min

**SURFACE PROTECTION**

Epoxy painted/Nichel plating

**MATERIALS**

Brass  
 ABS  
 Stainless steel

**HEADWORK SEALING**

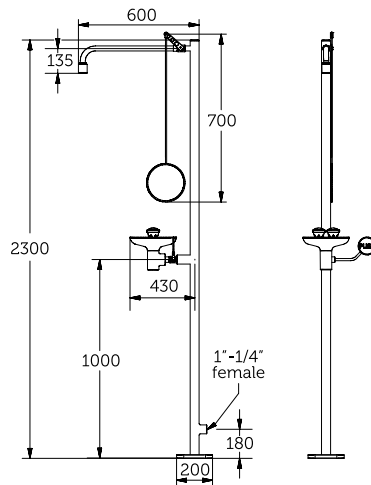
PTFE temperature working range: 0-70°

**CONNECTION TAP**

G 1"-1/4" female

**STANDARD AND NORMS**

DIN 4844-2-D and BGV A8 sign for body shower  
 DIN EN 15154-1:2006  
 DIN EN 15154-2:2006  
 DIN 12899-3:2009  
 DIN 67510  
 ANSI Z358.1-2004



**WARRANTY 2 YEARS**

**APPLICATION**

Floor mounting

**DETAILS**

Test pressure: 9 Bars/air  
 Max working pressure: 10 Bars  
 Flow rate limited to 50 L/min

**SURFACE PROTECTION**

Epoxy painted/Nichel plating

**MATERIALS**

Brass  
 ABS  
 Stainless steel

**HEADWORK SEALING**

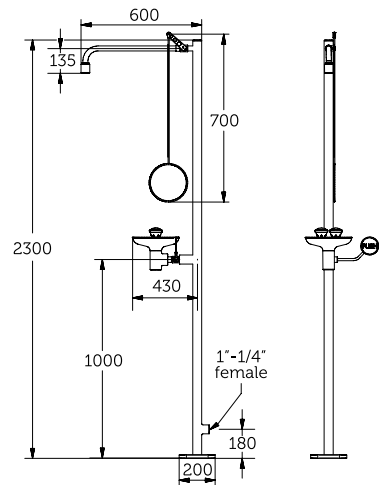
PTFE temperature working range: 0-70°

**CONNECTION TAP**

G1"-1/4" female

**STANDARD AND NORMS**

DIN 4844-2-D and BGV A8 sign for body shower  
 DIN EN 15154-1:2006  
 DIN EN 15154-2:2006  
 DIN 12899-3:2009  
 DIN 67510  
 ANSI Z358.1-2004



**WARRANTY 2 YEARS**

**APPLICATION**

Floor mounting

**DETAILS**

Test pressure: 9 Bars/air  
 Max working pressure: 10 Bars  
 Flow rate limited to 50 L/min

**SURFACE PROTECTION**

Epoxy painted/Nichel plating

**MATERIALS**

Brass  
 ABS  
 Stainless steel

**HEADWORK SEALING**

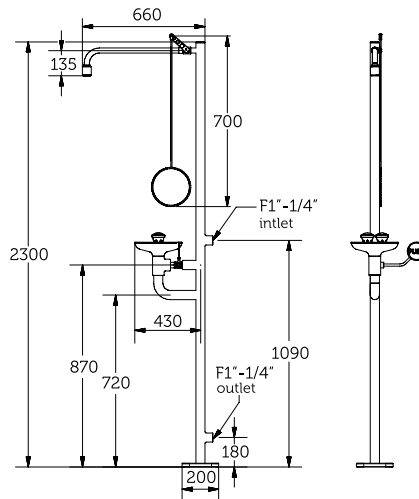
PTFE temperature working range: 0-70°

**CONNECTION TAP**

G1"-1/4" female

**STANDARD AND NORMS**

DIN 4844-2-D and BGV A8 sign for body shower  
 DIN EN 15154-1:2006  
 DIN EN 15154-2:2006  
 DIN 12899-3:2009  
 DIN 67510  
 ANSI Z358.1-2004



WARRANTY 2 YEARS

**APPLICATION**

Floor mounting

**DETAILS**

Test pressure: 9 Bars/air  
 Max working pressure: 10 Bars  
 Flow rate limited to 50 L/min

**SURFACE PROTECTION**

Epoxy painted/Nichel plating

**MATERIALS**

Brass  
 ABS  
 Stainless steel

**HEADWORK SEALING**

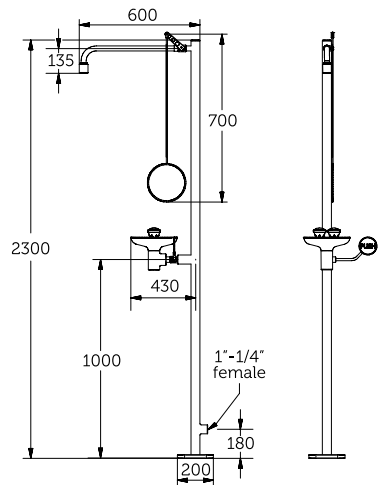
PTFE temperature working range: 0-70°

**CONNECTION TAP**

G1"-1/4" female

**STANDARD AND NORMS**

DIN 4844-2-D and BGV A8 sign for body shower  
 DIN EN 15154-1:2006  
 DIN EN 15154-2:2006  
 DIN 12899-3:2009  
 DIN 67510  
 ANSI Z358.1-2004



**WARRANTY 2 YEARS**

**APPLICATION**

Floor mounting

**DETAILS**

Test pressure: 9 Bars/air  
 Max working pressure: 10 Bars  
 Flow rate limited to 50 L/min

**SURFACE PROTECTION**

Epoxy painted/Nichel plating

**MATERIALS**

Brass  
 ABS  
 Stainless steel

**HEADWORK SEALING**

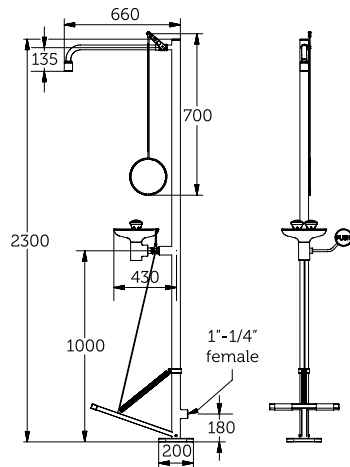
PTFE temperature working range: 0-70°

**CONNECTION TAP**

G1"-1/4" female

**STANDARD AND NORMS**

DIN 4844-2-D and BGV A8 sign for body shower  
 DIN EN 15154-1:2006  
 DIN EN 15154-2:2006  
 DIN 12899-3:2009  
 DIN 67510  
 ANSI Z358.1-2004



**WARRANTY 2 YEARS**

**APPLICATION**

Floor mounting

**DETAILS**

Test pressure: 9 Bars/air  
 Max working pressure: 10 Bars  
 Flow rate limited to 50 L/min

**SURFACE PROTECTION**

Epoxy painted/Nichel plating

**MATERIALS**

Brass  
 ABS  
 Stainless steel

**HEADWORK SEALING**

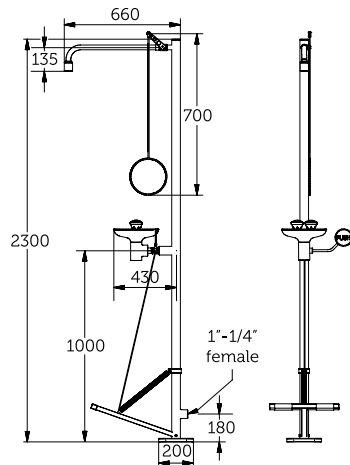
PTFE temperature working range: 0-70°

**CONNECTION TAP**

G1"-1/4" female

**STANDARD AND NORMS**

DIN 4844-2-D and BGV A8 sign for body shower  
 DIN EN 15154-1:2006  
 DIN EN 15154-2:2006  
 DIN 12899-3:2009  
 DIN 67510  
 ANSI Z358.1-2004



**WARRANTY 2 YEARS**



**APPLICATION**

Floor mounting

**DETAILS**

Test pressure: 9 Bars/air  
 Max working pressure: 10 Bars  
 Flow rate limited to 50 L/min

**SURFACE PROTECTION**

Epoxy painted/Nichel plating

**MATERIALS**

Brass  
 ABS  
 Stainless steel

**HEADWORK SEALING**

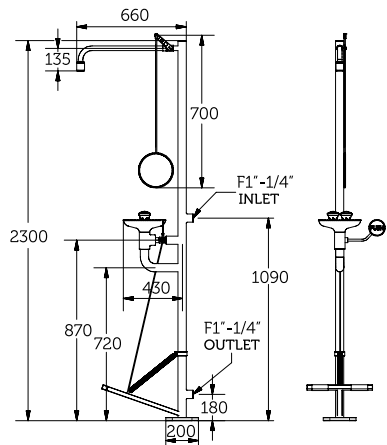
PTFE temperature working range: 0-70°

**CONNECTION TAP**

G1"-1/4" female

**STANDARD AND NORMS**

DIN 4844-2-D and BGV A8 sign for body shower  
 DIN EN 15154-1:2006  
 DIN EN 15154-2:2006  
 DIN 12899-3:2009  
 DIN 67510  
 ANSI Z358.1-2004



WARRANTY 2 YEARS

**APPLICATION**

Floor mounting

**DETAILS**

Test pressure: 9 Bars/air  
 Max working pressure: 10 Bars  
 Flow rate limited to 50 L/min

**SURFACE PROTECTION**

Epoxy painted/Nichel plating

**MATERIALS**

Brass  
 ABS  
 Stainless steel

**HEADWORK SEALING**

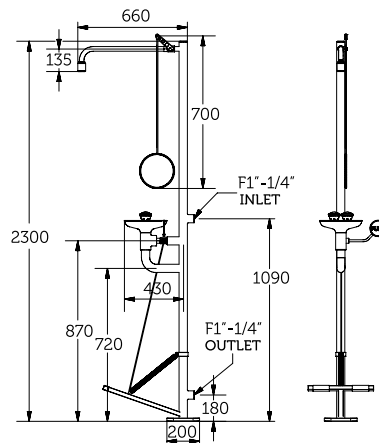
PTFE temperature working range: 0-70°

**CONNECTION TAP**

G1"-1/4" female

**STANDARD AND NORMS**

DIN 4844-2-D and BGV A8 sign for body shower  
 DIN EN 15154-1:2006  
 DIN EN 15154-2:2006  
 DIN 12899-3:2009  
 DIN 67510  
 ANSI Z358.1-2004



**WARRANTY 2 YEARS**

**APPLICATION**

Floor mounting

**DETAILS**

Test pressure: 9 Bars/air  
 Max working pressure: 10 Bars  
 Flow rate limited to 16 L/min

**SURFACE PROTECTION**

Epoxy painted/Nichel plating

**MATERIALS**

Brass  
 ABS  
 Stainless steel

**HEADWORK SEALING**

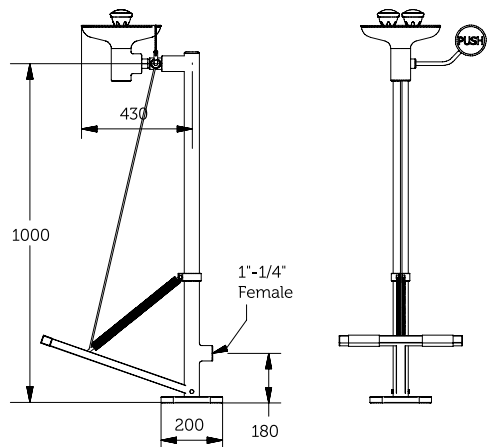
PTFE temperature working range: 0-70°

**CONNECTION TAP**

G1"-1/4" female

**STANDARD AND NORMS**

DIN 4844-2-D and BGV A8 sign for body shower  
 DIN 4844-2-D  
 BGV A8  
 DIN EN 15154-2:2006  
 ANSA Z358.1-2004



**WARRANTY 2 YEARS**

**APPLICATION**

Floor mounting

**DETAILS**

Test pressure: 9 Bars/air  
 Max working pressure: 10 Bars  
 Flow rate limited to 16 L/min

**SURFACE PROTECTION**

Epoxy painted/Nichel plating

**MATERIALS**

Brass  
 ABS  
 Stainless steel

**HEADWORK SEALING**

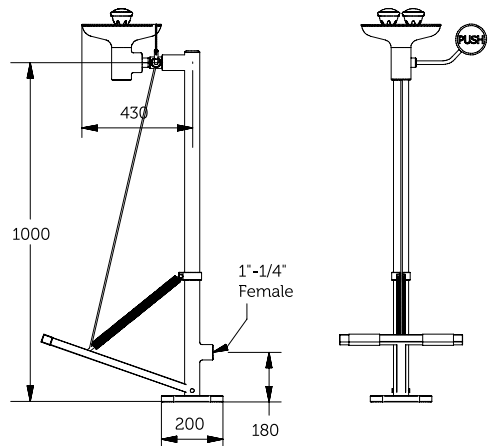
PTFE temperature working range: 0-70°

**CONNECTION TAP**

G1"-1/4" female

**STANDARD AND NORMS**

DIN 4844-2-D and BGV A8 sign for body shower  
 DIN 4844-2-D  
 BGV A8  
 DIN EN 15154-2:2006  
 ANSA Z358.1-2004



**WARRANTY 2 YEARS**

**APPLICATION**

Wall mounting

**DETAILS**

Test pressure: 9 Bars/air

Max working pressure: 10 Bars

Flow rate limited to 16 L/min

**SURFACE PROTECTION**

Epoxy painted

**MATERIALS**

Brass

ABS

Stainless steel

**HEADWORK SEALING**

PTFE temperature working range: 0-70°

**CONNECTION TAP**

G 3/4" female

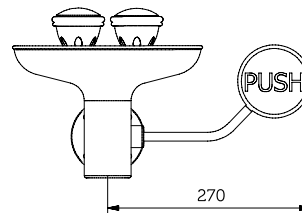
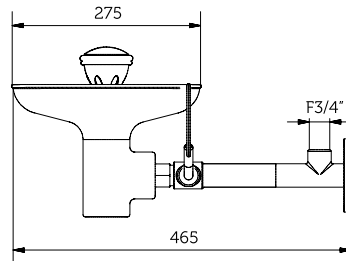
**STANDARD AND NORMS**

DIN 4844-2-D

BGV A8

DIN EN 15154-2:2006

ANSI Z358.1-2004



WARRANTY 2 YEARS

**APPLICATION**

Wall mounting

**DETAILS**

Test pressure: 9 Bars/air

Max working pressure: 10 Bars

Flow rate limited to 16 L/min

**SURFACE PROTECTION**

Epoxy painted

**MATERIALS**

Brass

ABS

Stainless steel

**HEADWORK SEALING**

PTFE temperature working range: 0-70°

**CONNECTION TAP**

G 3/4" female

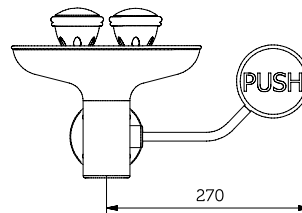
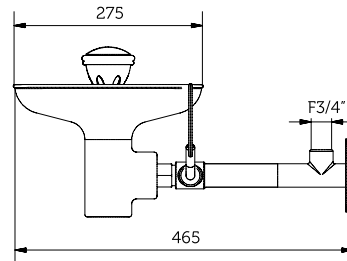
**STANDARD AND NORMS**

DIN 4844-2-D

BGV A8

DIN EN 15154-2:2006

ANSI Z358.1-2004



**WARRANTY 2 YEARS**

**APPLICATION**

Bench mounting

**DETAILS**

Test pressure: 9 Bars/air

Max working pressure: 5 Bars

Flow rate limited to 7L/min

**SURFACE PROTECTION**

Chemical nickel plating

**MATERIALS**

Brass

ABS

EPDM

Stainless steel

**HEADWORK SEALING**

EPDM temperature working range: 0-70°

**CONNECTION TAP**

Swivelling nut G1/2" female

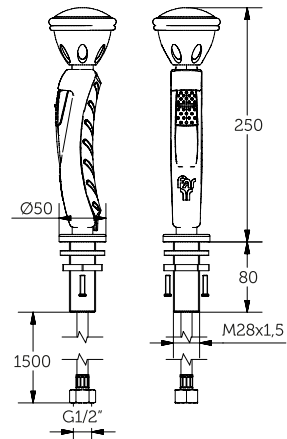
**STANDARD AND NORMS**

DIN4844-2-D and BGV A8

DIN1988 - DIN EN 1717

DIN EN 15154-2:2006

ANSA Z358.1-2004



WARRANTY 2 YEARS

**APPLICATION**

Bench mounting

**DETAILS**

Test pressure: 9 Bars/air

Max working pressure: 5 Bars

Flow rate limited to 7L/min

**SURFACE PROTECTION**

Chemical nikel plating

**MATERIALS**

Brass

ABS

EPDM

Stainless steel

**HEADWORK SEALING**

EPDM temperature working range: 0-70°

**CONNECTION TAP**

Swivelling nut G1/2" female

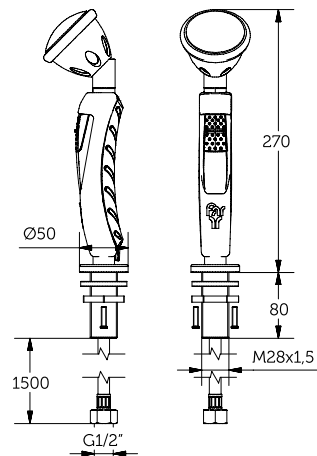
**STANDARD AND NORMS**

DIN4844-2-D and BGV A8

DIN1988 - DIN EN 1717

DIN EN 15154-2:2006

ANSA Z358.1-2004



**WARRANTY 2 YEARS**



**APPLICATION**

Wall mounting

**DETAILS**

Test pressure: 9 Bars/air

Max working pressure: 5 Bars

Flow rate limited to 7L/min

**SURFACE PROTECTION**

Chemical nickel plating

**MATERIALS**

Brass

ABS

EPDM

Stainless steel

**HEADWORK SEALING**

EPDM temperature working range: 0-70°

**CONNECTION TAP**

Swivelling nut G1/2" female

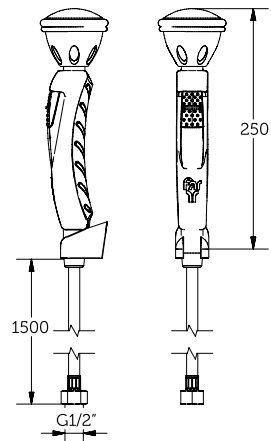
**STANDARD AND NORMS**

DIN4844-2-D and BGV A8

DIN1988 - DIN EN 1717

DIN EN 15154-2:2006

ANSA Z358.1-2004



WARRANTY 2 YEARS

**APPLICATION**

Wall mounting

**DETAILS**

Test pressure: 9 Bars/air

Max working pressure: 5 Bars

Flow rate limited to 7L/min

**SURFACE PROTECTION**

Chemical nickel plating

**MATERIALS**

Brass

ABS

EPDM

Stainless steel

**HEADWORK SEALING**

EPDM temperature working range: 0-70°

**CONNECTION TAP**

Swivelling nut G1/2" female

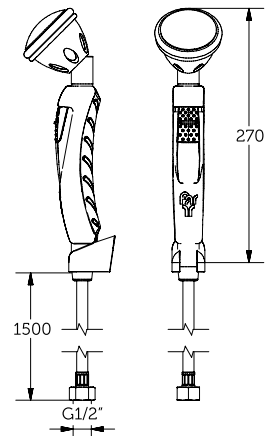
**STANDARD AND NORMS**

DIN4844-2-D and BGV A8

DIN1988 - DIN EN 1717

DIN EN 15154-2:2006

ANSA Z358.1-2004



**WARRANTY 2 YEARS**

**APPLICATION**

Bench mounting

**DETAILS**

Test pressure: 9 Bars/air

Max working pressure: 5 Bars

Flow rate limited to 14L/min

**SURFACE PROTECTION**

Chemical nikel plating

**MATERIALS**

Brass

ABS

EPDM

Stainless steel

**HEADWORK SEALING**

EPDM temperature working range: 0-70°

**CONNECTION TAP**

Swivelling nut G1/2" female

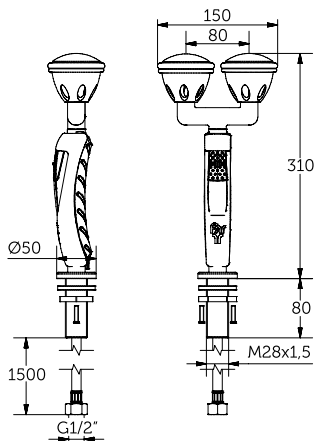
**STANDARD AND NORMS**

DIN4844-2-D and BGV A8

DIN1988 - DIN EN 1717

DIN EN 15154-2:2006

ANSA Z358.1-2004



WARRANTY 2 YEARS

**APPLICATION**

Bench mounting

**DETAILS**

Test pressure: 9 Bars/air

Max working pressure: 5 Bars

Flow rate limited to 14L/min

**SURFACE PROTECTION**

Chemical nikel plating

**MATERIALS**

Brass

ABS

EPDM

Stainless steel

**HEADWORK SEALING**

EPDM temperature working range: 0-70°

**CONNECTION TAP**

Swivelling nut G1/2" female

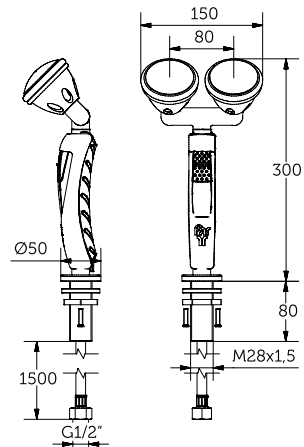
**STANDARD AND NORMS**

DIN4844-2-D and BGV A8

DIN1988 - DIN EN 1717

DIN EN 15154-2:2006

ANSA Z358.1-2004



**WARRANTY 2 YEARS**

**APPLICATION**

Wall mounting

**DETAILS**

Test pressure: 9 Bars/air

Max working pressure: 5 Bars

Flow rate limited to 14L/min

**SURFACE PROTECTION**

Chemical nikel plating

**MATERIALS**

Brass

ABS

EPDM

Stainless steel

**HEADWORK SEALING**

EPDM temperature working range: 0-70°

**CONNECTION TAP**

Swivelling nut G1/2" female

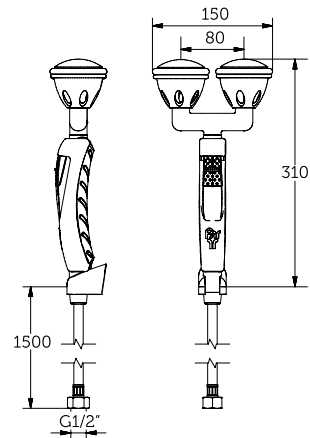
**STANDARD AND NORMS**

DIN4844-2-D and BGV A8

DIN1988 - DIN EN 1717

DIN EN 15154-2:2006

ANSA Z358.1-2004



**WARRANTY 2 YEARS**

**APPLICATION**

Wall mounting

**DETAILS**

Test pressure: 9 Bars/air

Max working pressure: 5 Bars

Flow rate limited to 14L/min

**SURFACE PROTECTION**

Chemical nikel plating

**MATERIALS**

Brass

ABS

EPDM

Stainless steel

**HEADWORK SEALING**

EPDM temperature  
working range: 0-70°

**CONNECTION TAP**

Swivelling nut G1/2" female

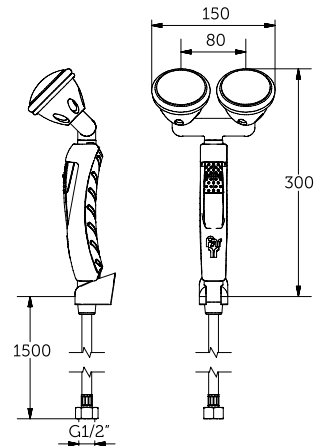
**STANDARD AND NORMS**

DIN4844-2-D and BGV A8

DIN1988 - DIN EN 1717

DIN EN 15154-2:2006

ANSA Z358.1-2004



**WARRANTY 2 YEARS**