

Top safety for flammable hazardous substances

- ✓ Top fire resistance class (**Type 90**)
- ✓ Proven safety: Certified compliant with **EN 14470-1** and **GS**
- ✓ Doors and carcass double-walled and thermally insulated
- ✓ Automatic thermo-mechanical door closure in the event of fire
- ✓ Integrated port for fume extraction system



Safety and convenience

- ✓ Underbench safety cabinets are storage marvels, with twice as much storage capacity for 1-litre bottles compared with conventional cabinets
- ✓ Adjustable door damping facilitates easy placement or removal of stored items



Tall cabinets

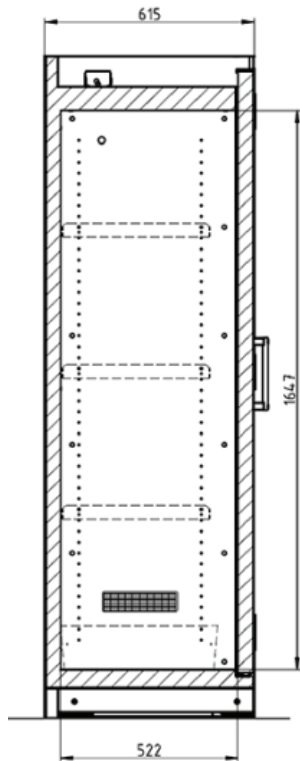
- ✓ Hinged or folding doors
- ✓ Optional automatic door closure
- ✓ Removable shelves and catchment trays or self-retracting pullouts in the event of fire

Underbench cabinets

- ✓ Hinged doors and/or pull-outs
- ✓ Optional second level of pull-outs
- ✓ Canister with fi II level monitoring



Tall cabinets

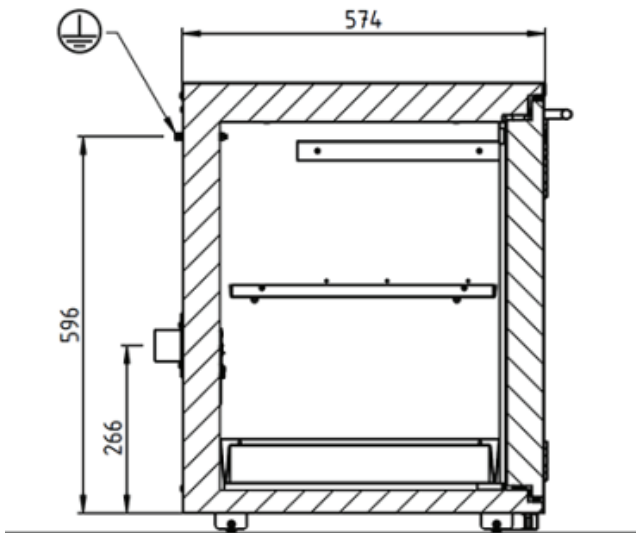


| | Closure | | Width | | Height | Depth |
|------------------------------------|--------------------------------|-----|-------|------|--------|-------|
| 1 hinged door, left or right | Manual | 600 | - | - | 1955 | 615 |
| 2 hinged doors | Manual | - | 900 | 1200 | 1955 | 615 |
| 1 hinged door, left or right | Automatic time-delayed closure | 600 | - | - | 1955 | 615 |
| 2 hinged doors, one-hand operation | Automatic time-delayed closure | - | 900 | 1200 | 1955 | 615 |
| 2 folding doors | Manual | - | - | 1200 | 1955 | 615 |

Dimensions [mm]

Underbench cabinets

| | Width | | | | Height | Depth |
|-------------------------------|-------|-----|------|------|--------|-------|
| 1 pull-out | 590 | 890 | - | - | 710 | 574 |
| 2 pull-outs | - | - | 1100 | 1400 | 710 | 574 |
| 2 hinged doors | - | - | 1100 | - | 710 | 574 |
| 2 hinged doors, 1 pull-out | - | - | - | 1400 | 710 | 574 |



Dimensions [mm]