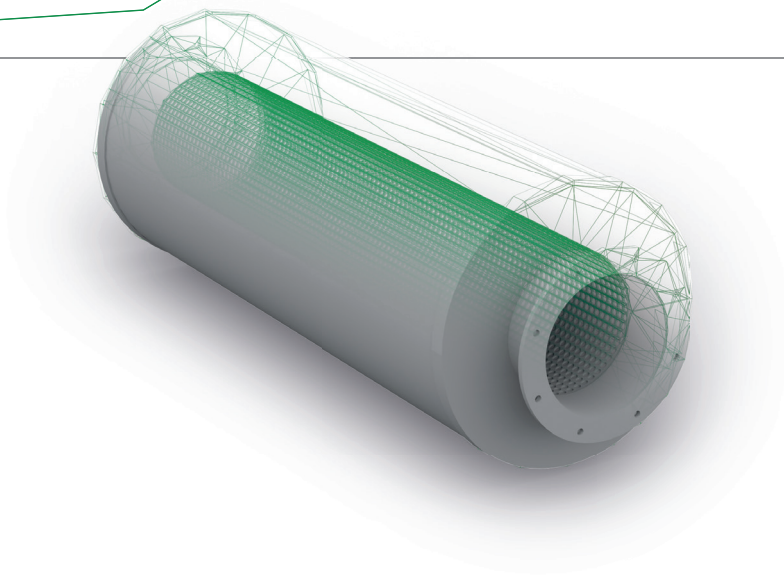
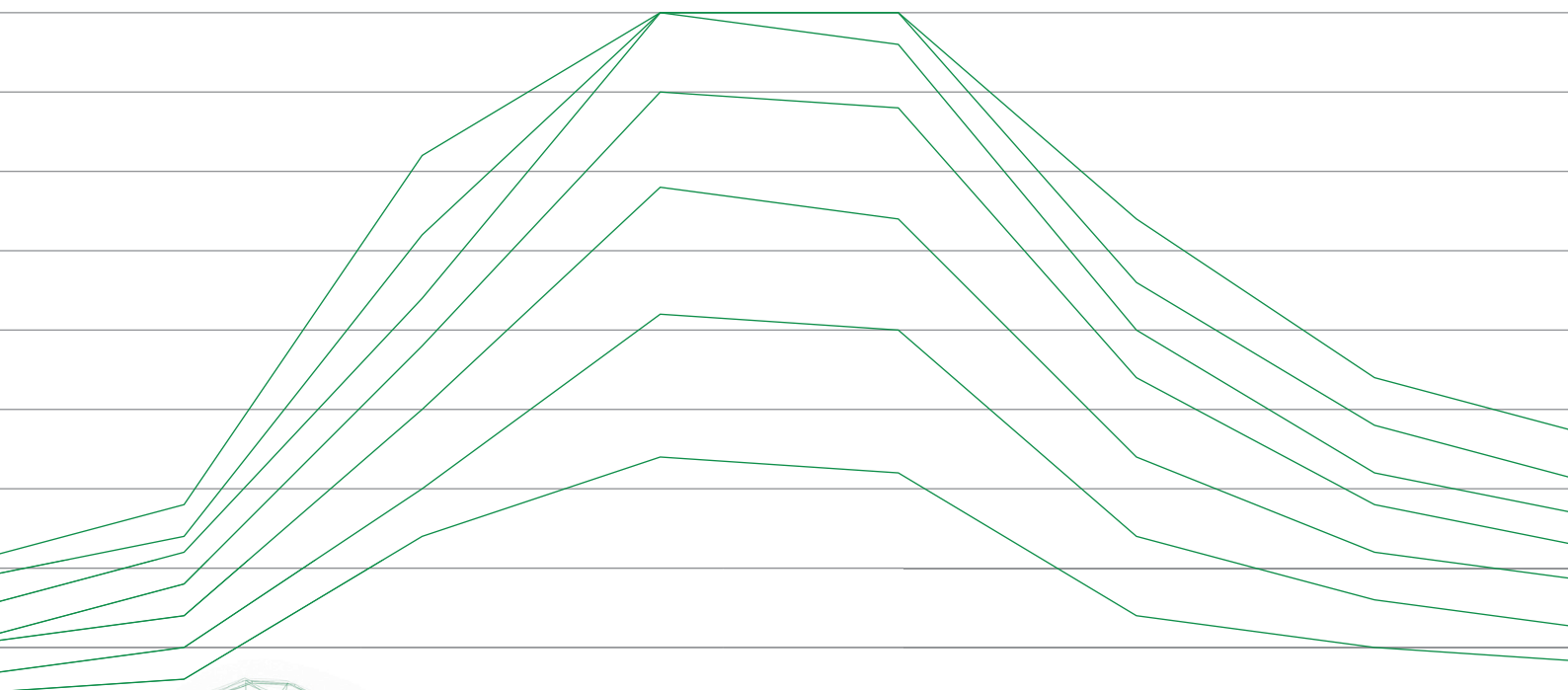


SOUND ABSORPTION CURVE

HOKA SOUND ATTENUATOR (REDUCER)

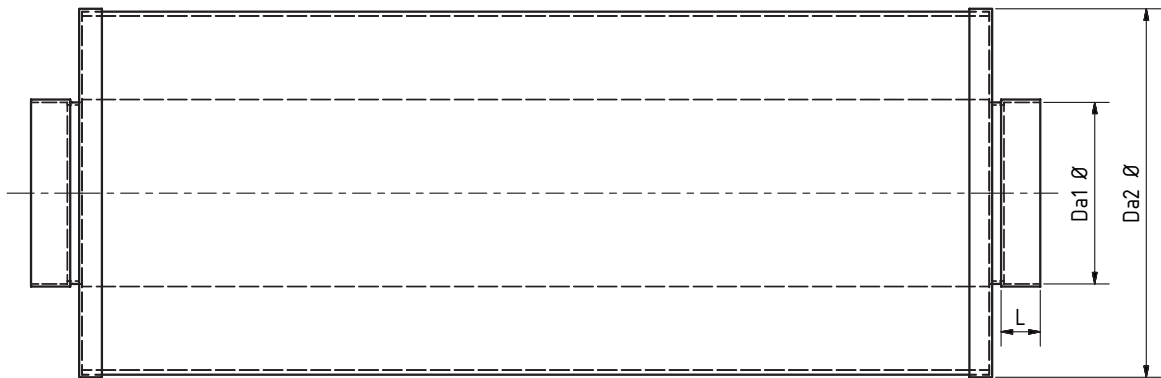
Examination by the I.F.I.



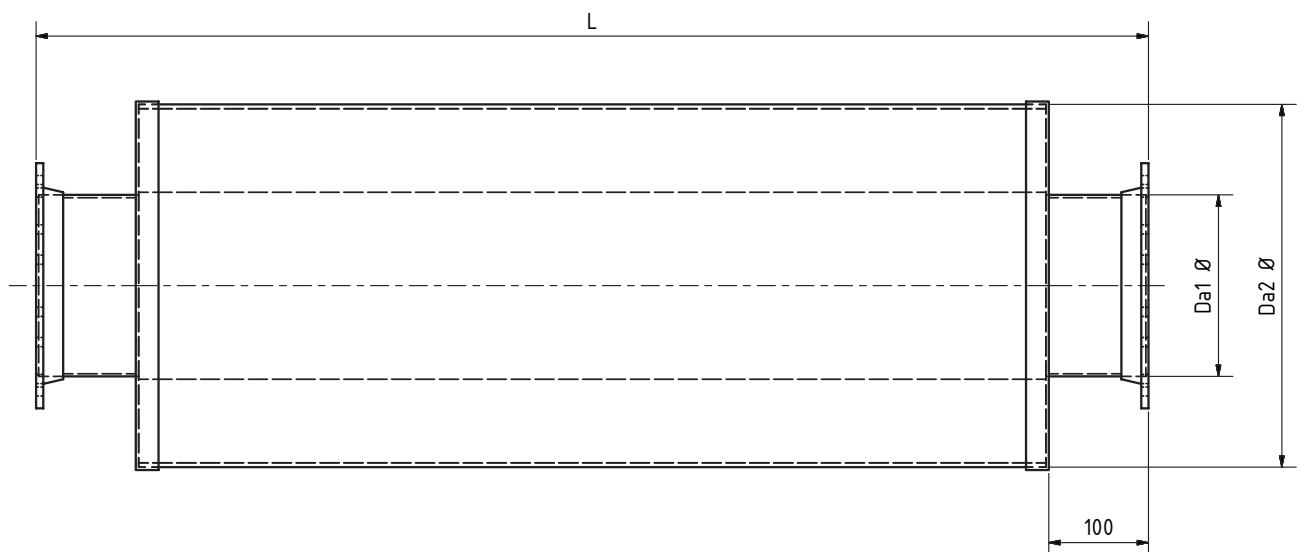
HOKA SOUND ATTENUATOR (REDUCER)

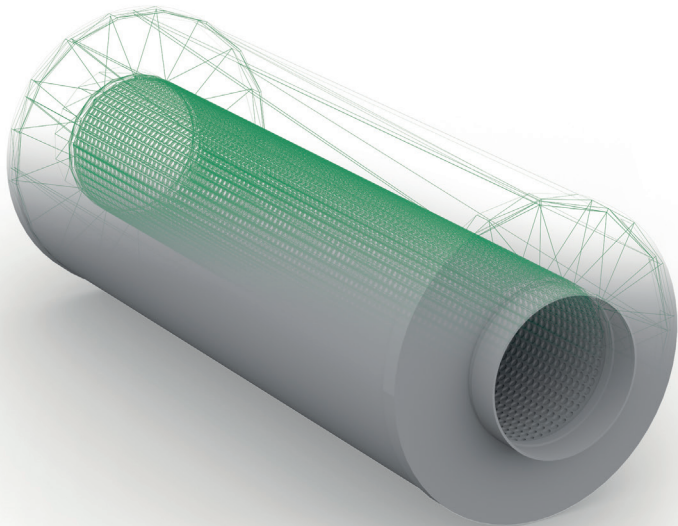
LENGTH: 500 – 2000 MM

with sockets



with flanges





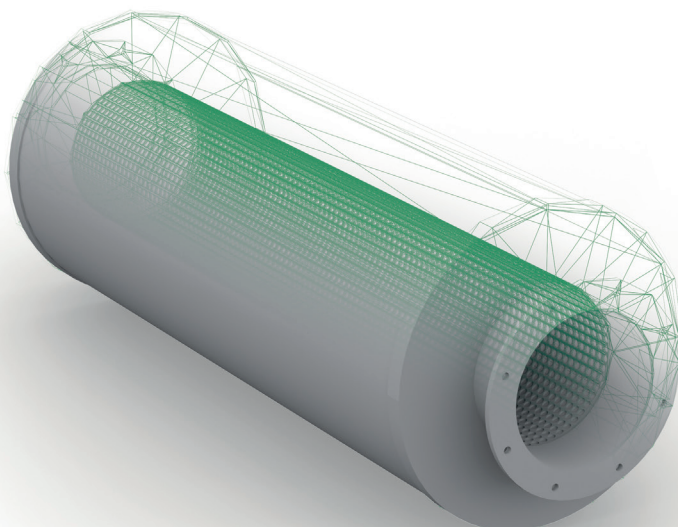
Examination by the I.F.I.

As we continually invest in quality, we had our sound attenuators examined by the independent I.F.I. test institute (Institute for Industrial Aerodynamics) in 2012.

The correct acoustical configuration and the selection of suitable materials requires specialized knowledge and in-depth experience in its practical application.

That is why the material and the components used in our sound attenuators were examined for their acoustic and vibration-related properties.

The main emphasis of this test in conformity with DIN EN ISO 7235 was sound absorption, flow-generated noise and pressure loss.

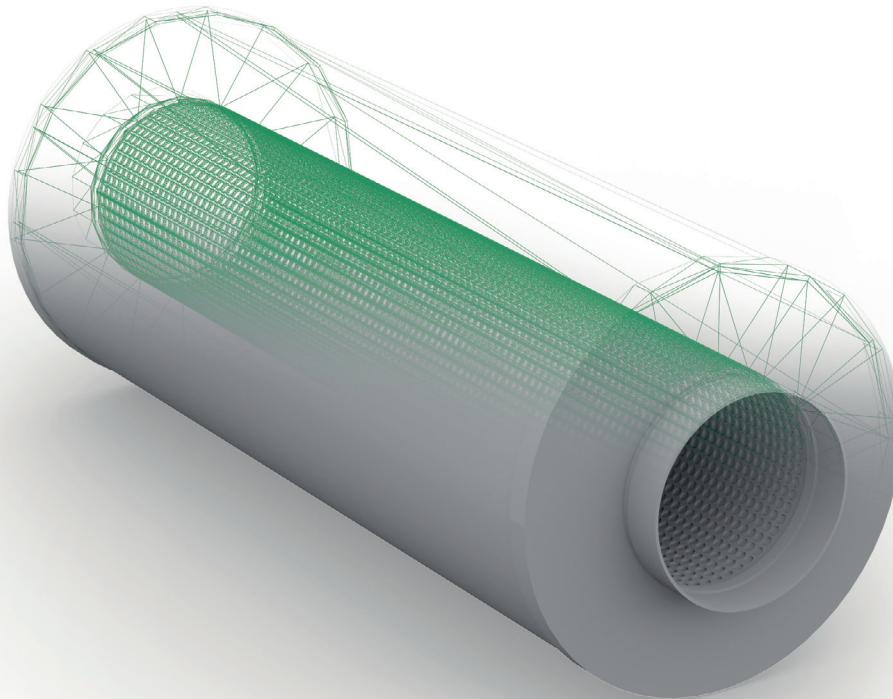


All dimension in mm
We reserve the right to change dimension and design.

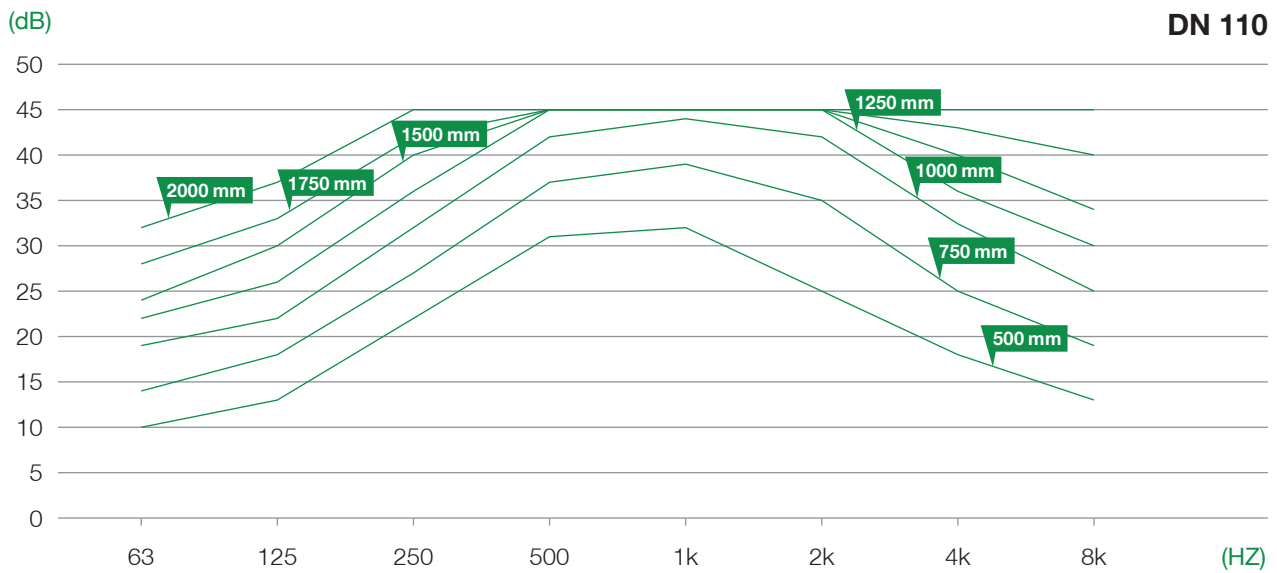
HOKA SOUND ATTENUATOR (REDUCER)

SOUND ABSORPTION CURVE

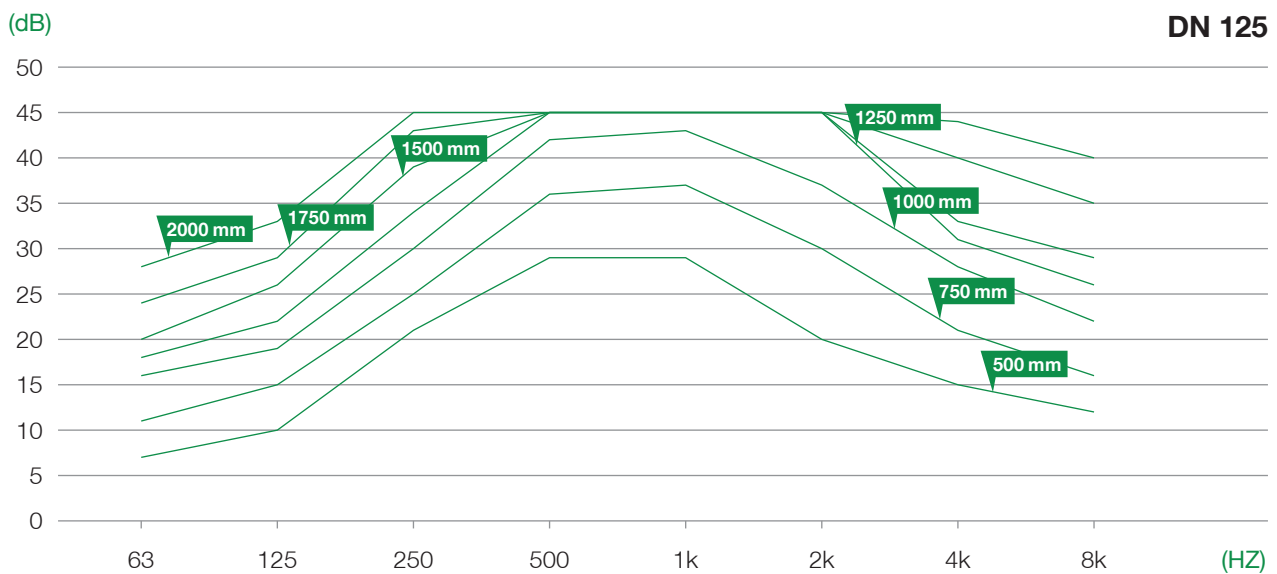
Material: PVC-U grey & white / PE-HD / PP-H / PPs / PP-EL-s / PVDF



All dimension in mm
We reserve the right to change dimension and design.



Test according to DIN EN ISO 7235 by the independent test institute IFI Institute for Industrial Aerodynamics

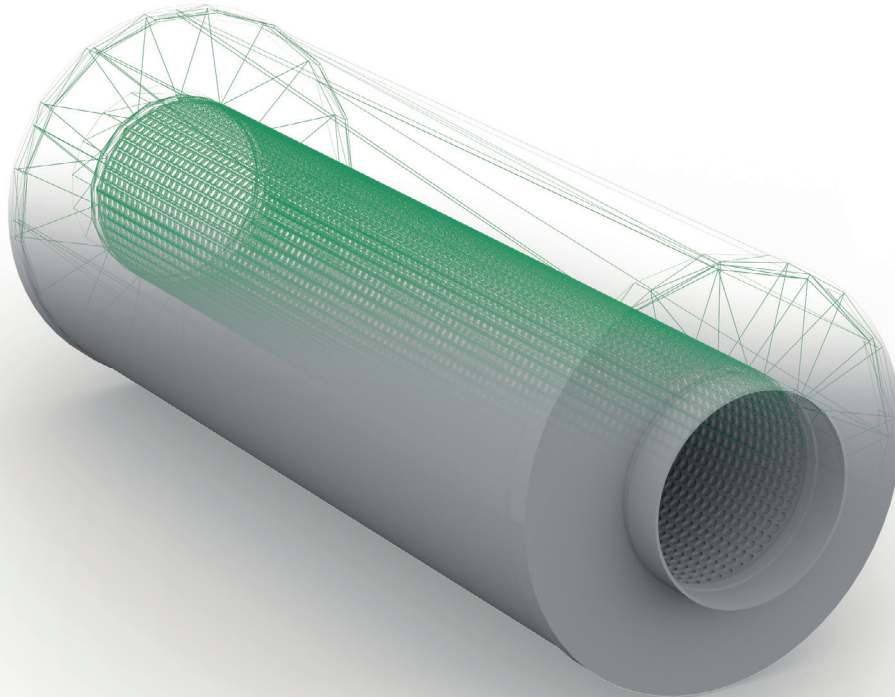


Test according to DIN EN ISO 7235 by the independent test institute IFI Institute for Industrial Aerodynamics

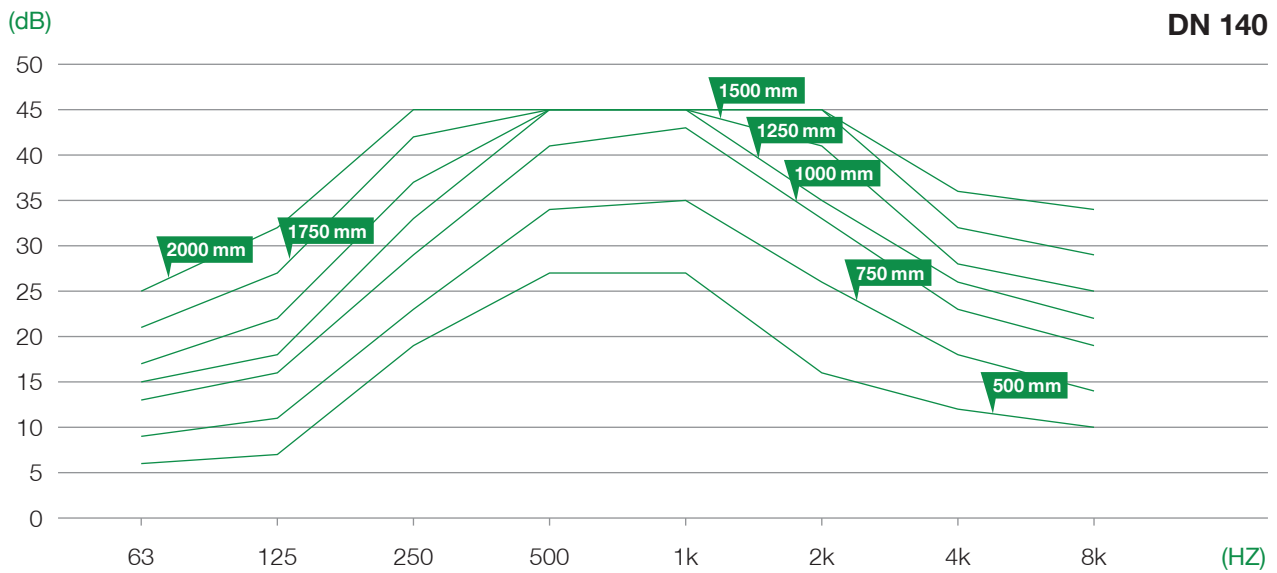
HOKA SOUND ATTENUATOR (REDUCER)

SOUND ABSORPTION CURVE

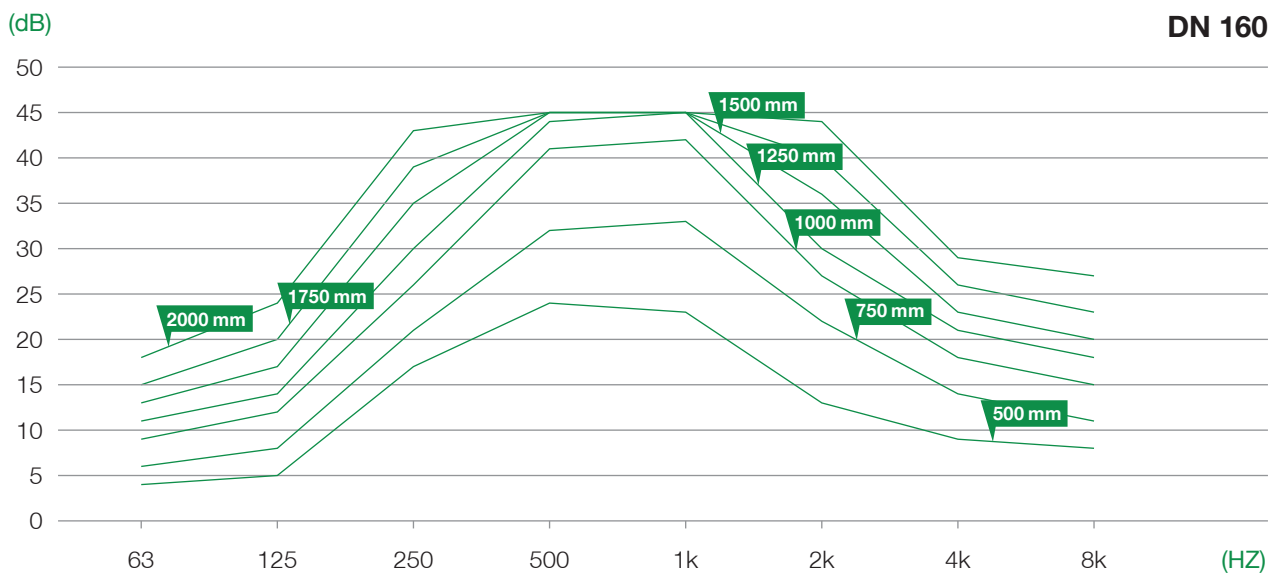
Material: PVC-U grey & white / PE-HD / PP-H / PPs / PP-EL-s / PVDF



All dimension in mm
We reserve the right to change dimension and design.



Test according to DIN EN ISO 7235 by the independent test institute IFI Institute for Industrial Aerodynamics

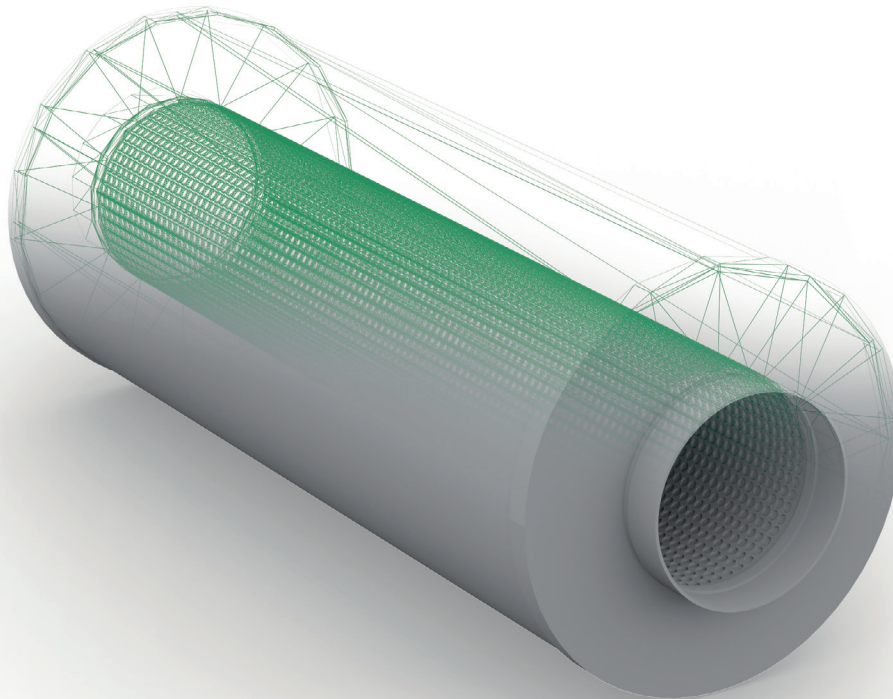


Test according to DIN EN ISO 7235 by the independent test institute IFI Institute for Industrial Aerodynamics

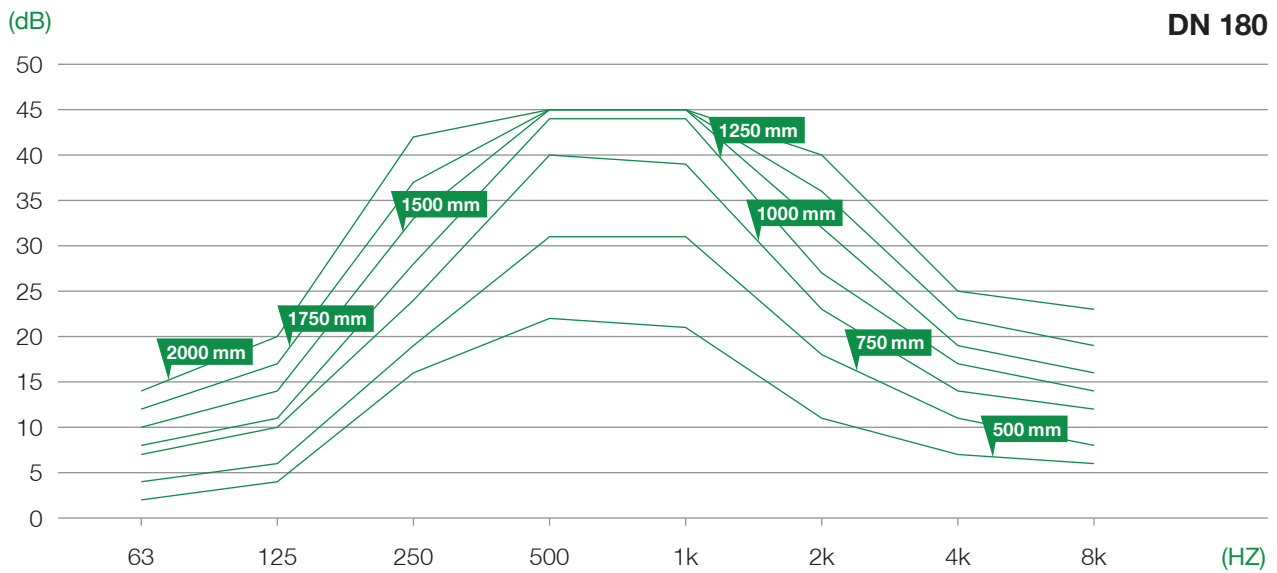
HOKA SOUND ATTENUATOR (REDUCER)

SOUND ABSORPTION CURVE

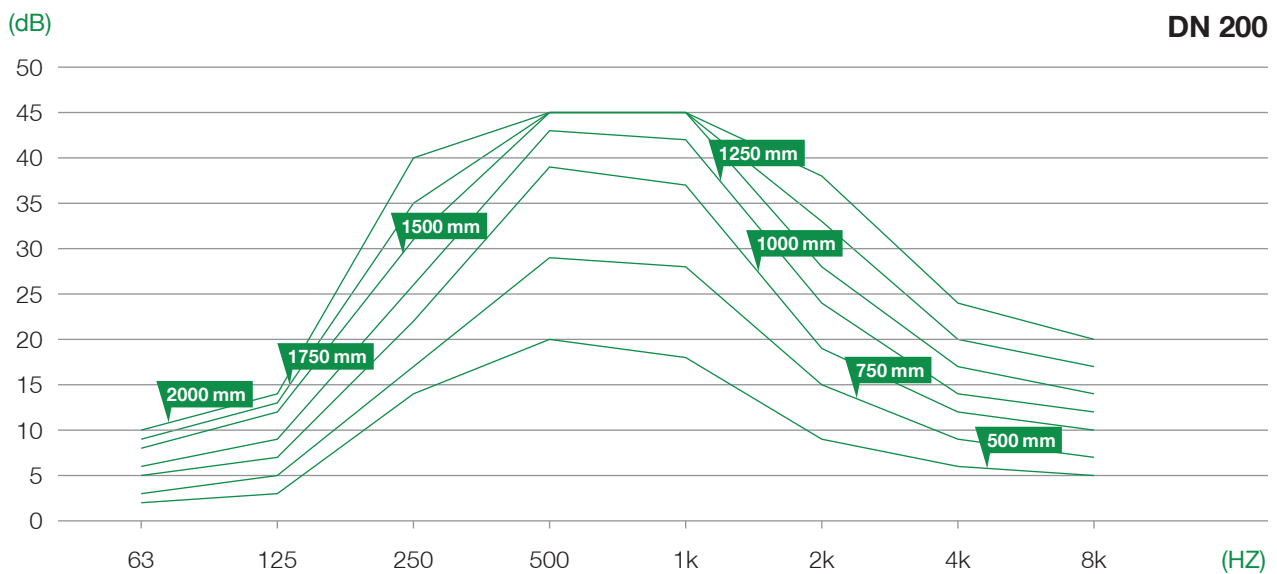
Material: PVC-U grey & white / PE-HD / PP-H / PPs / PP-EL-s / PVDF



All dimension in mm
We reserve the right to change dimension and design.



Test according to DIN EN ISO 7235 by the independent test institute IFI Institute for Industrial Aerodynamics

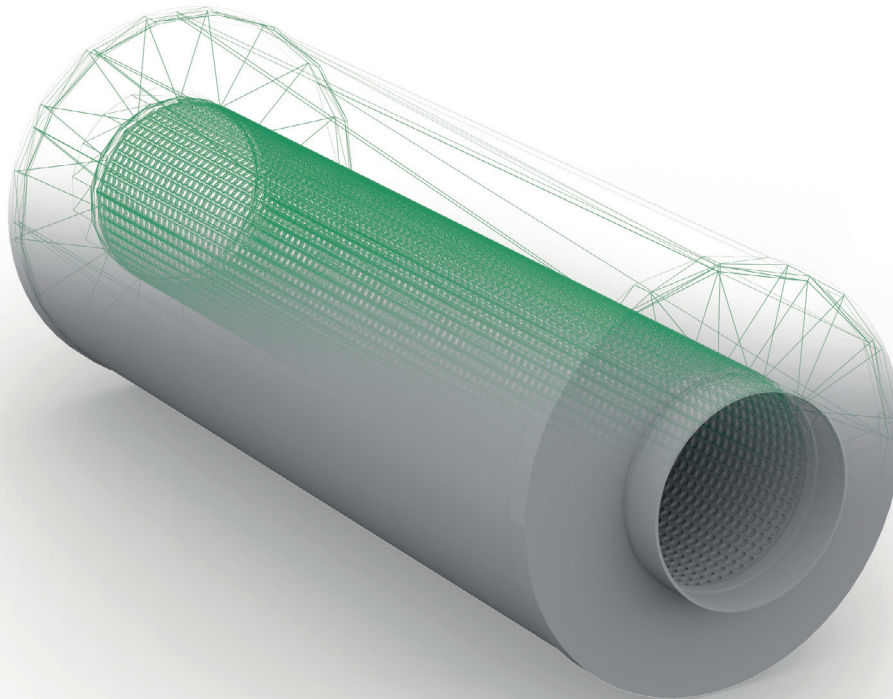


Test according to DIN EN ISO 7235 by the independent test institute IFI Institute for Industrial Aerodynamics

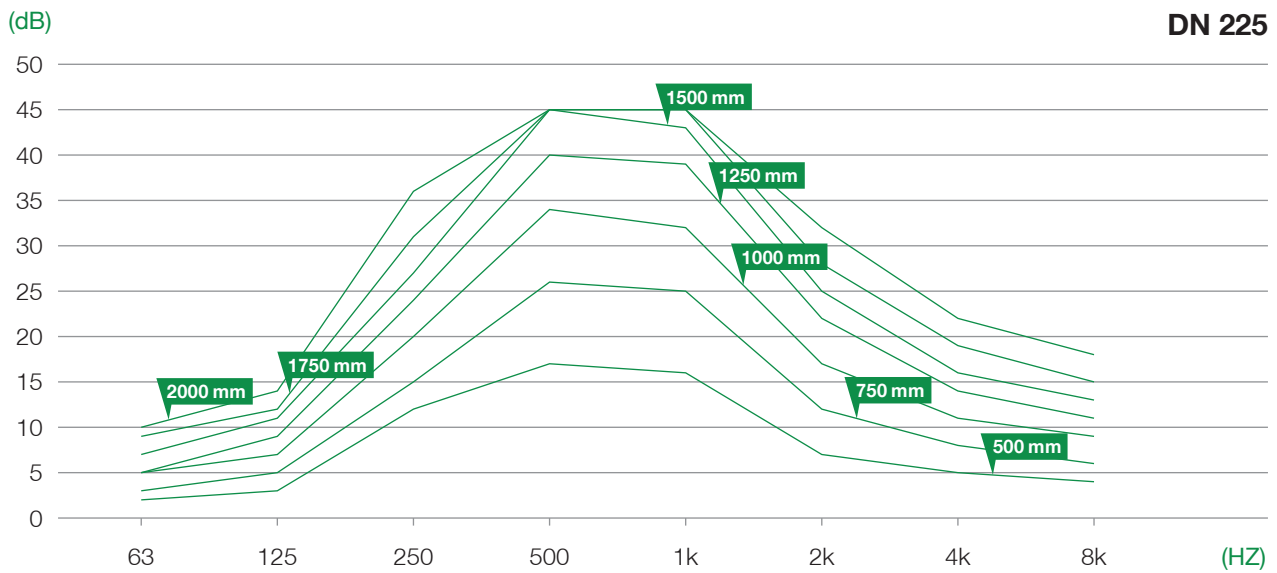
HOKA SOUND ATTENUATOR (REDUCER)

SOUND ABSORPTION CURVE

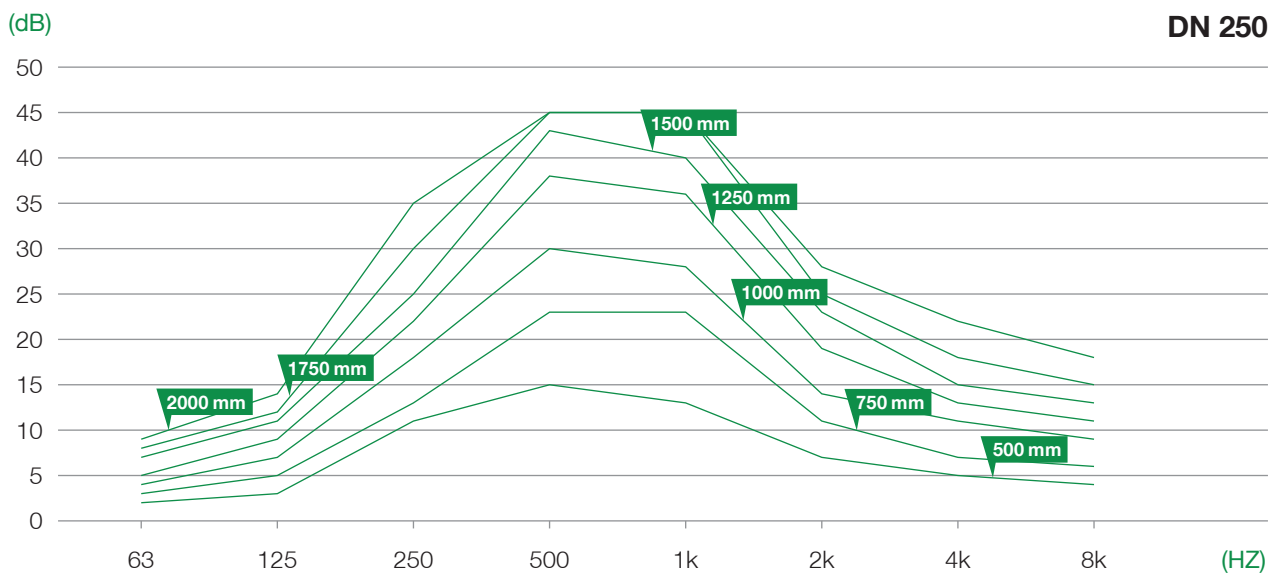
Material: PVC-U grey & white / PE-HD / PP-H / PPs / PP-EL-s / PVDF



All dimension in mm
We reserve the right to change dimension and design.



Test according to DIN EN ISO 7235 by the independent test institute IFI Institute for Industrial Aerodynamics

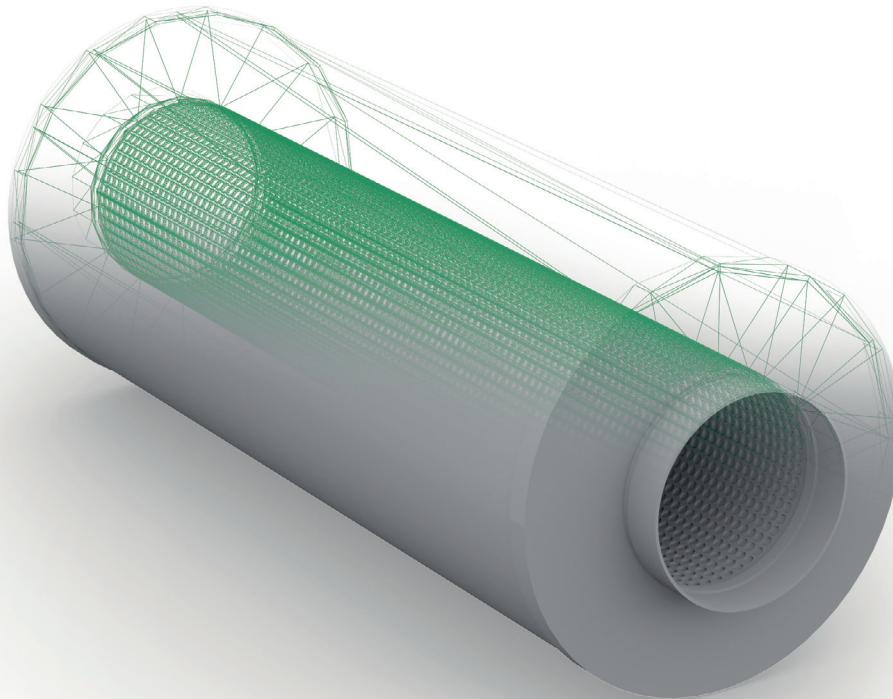


Test according to DIN EN ISO 7235 by the independent test institute IFI Institute for Industrial Aerodynamics

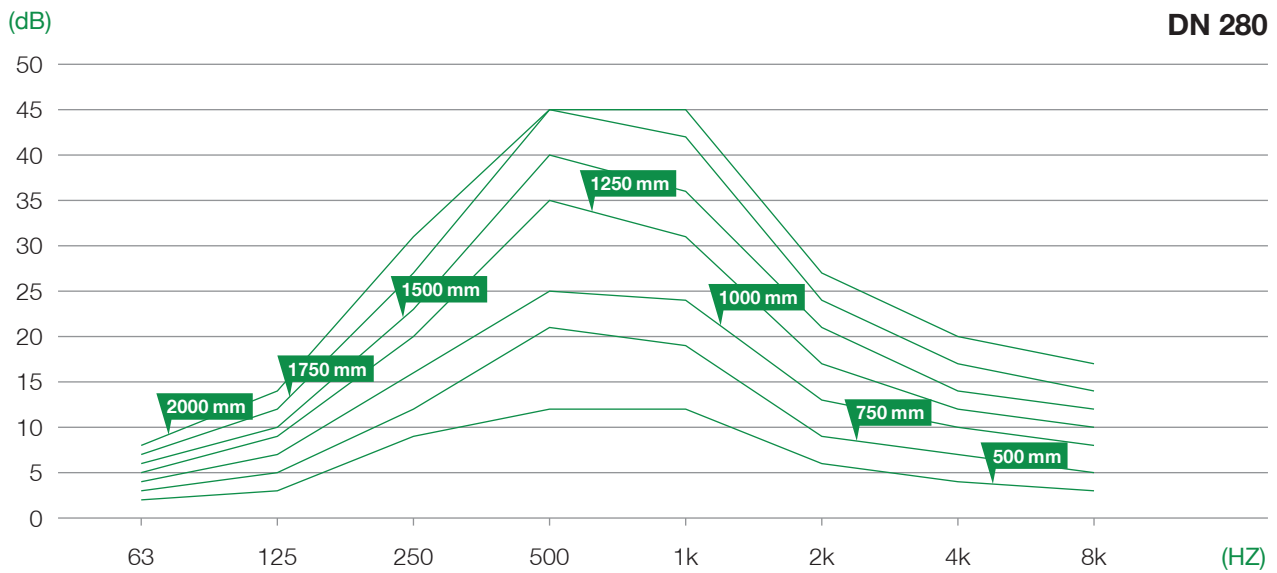
HOKA SOUND ATTENUATOR (REDUCER)

SOUND ABSORPTION CURVE

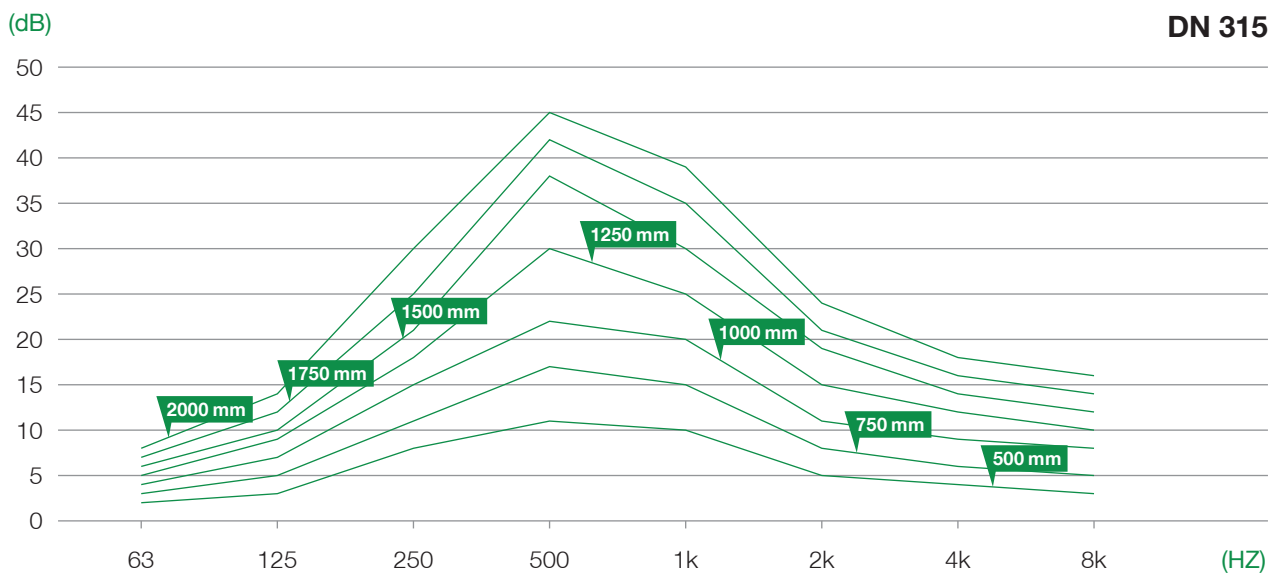
Material: PVC-U grey & white / PE-HD / PP-H / PPs / PP-EL-s / PVDF



All dimension in mm
We reserve the right to change dimension and design.



Test according to DIN EN ISO 7235 by the independent test institute IFI Institute for Industrial Aerodynamics

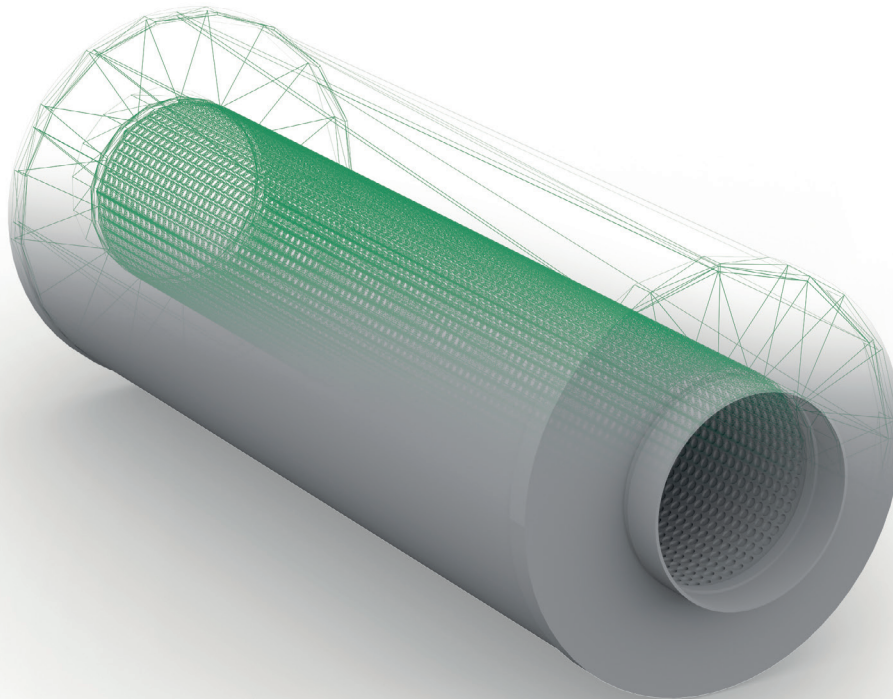


Test according to DIN EN ISO 7235 by the independent test institute IFI Institute for Industrial Aerodynamics

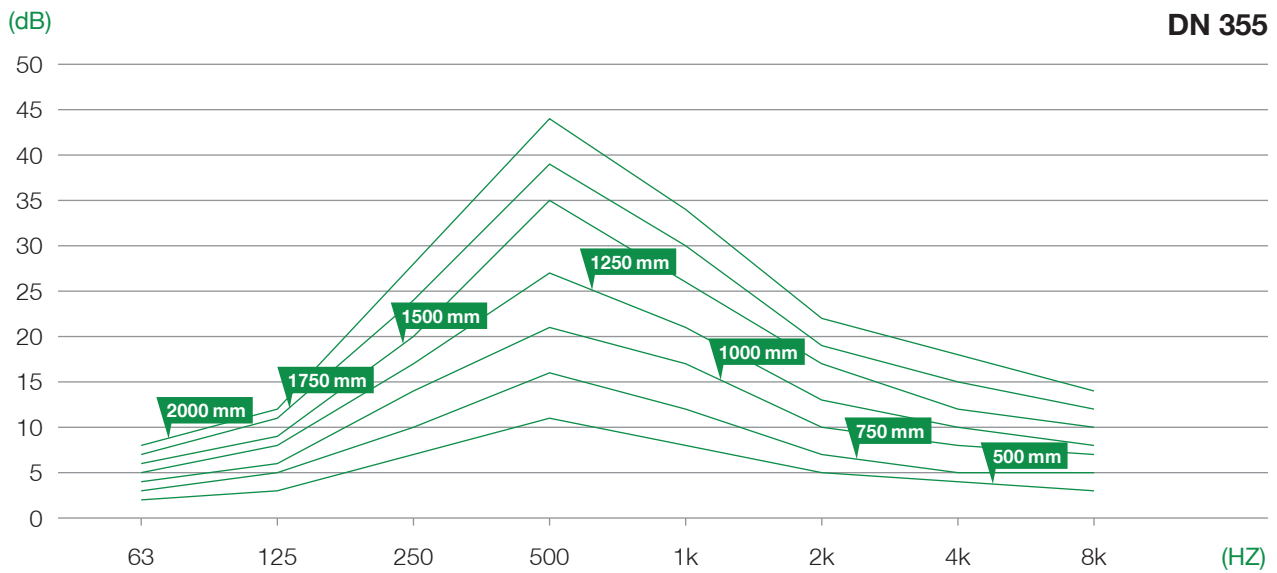
HOKA SOUND ATTENUATOR (REDUCER)

SOUND ABSORPTION CURVE

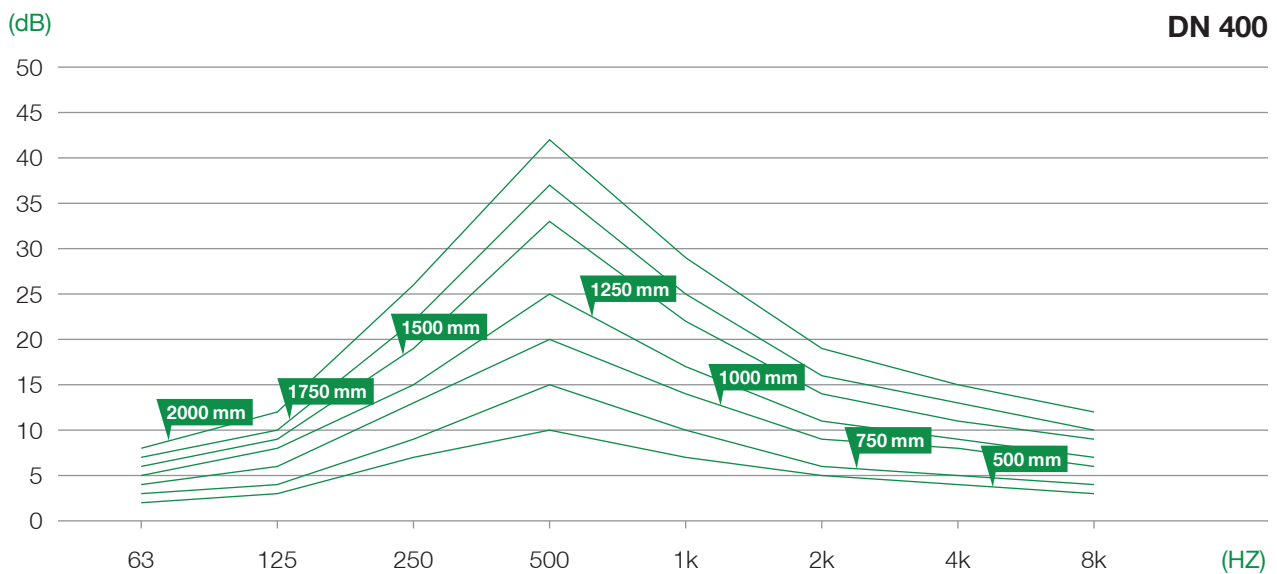
Material: PVC-U grey & white / PE-HD / PP-H / PPs / PP-EL-s / PVDF



All dimension in mm
We reserve the right to change dimension and design.



Test according to DIN EN ISO 7235 by the independent test institute IFI Institute for Industrial Aerodynamics

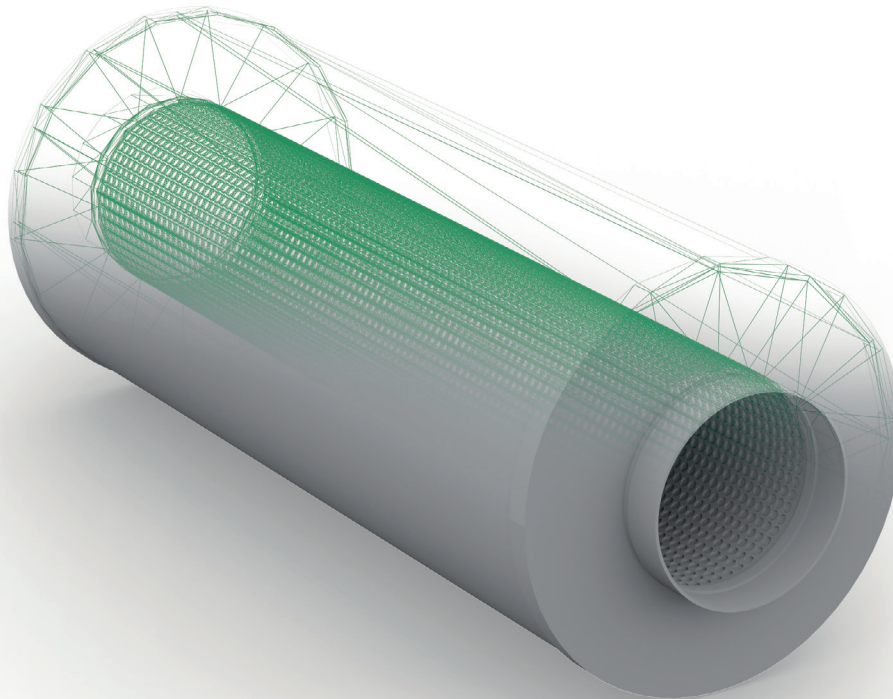


Test according to DIN EN ISO 7235 by the independent test institute IFI Institute for Industrial Aerodynamics

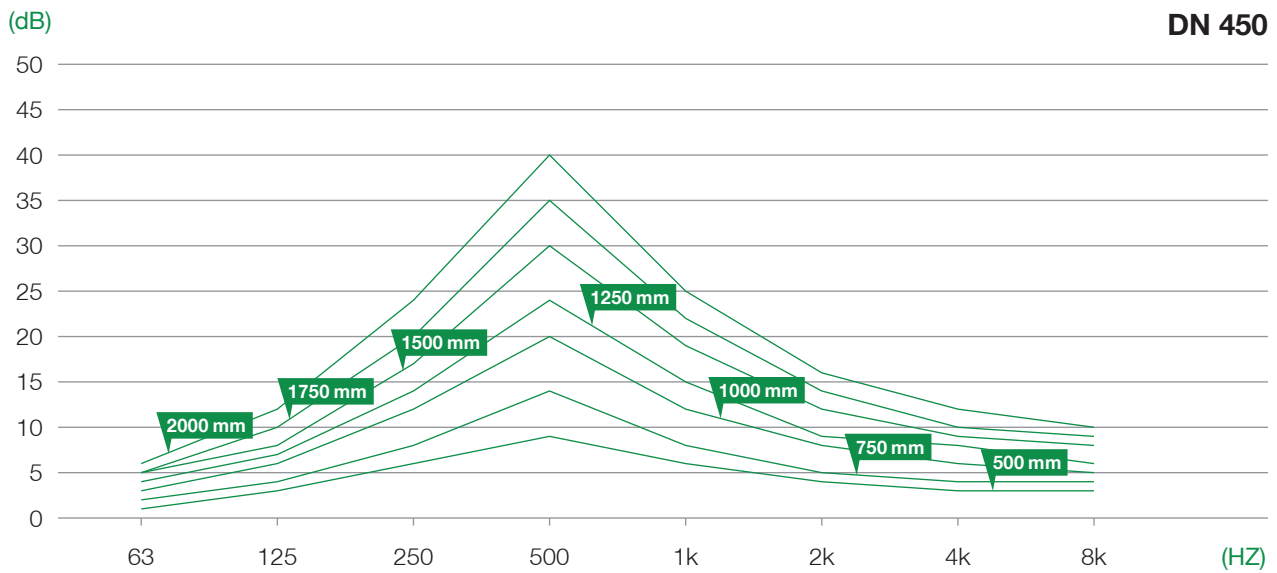
HOKA SOUND ATTENUATOR (REDUCER)

SOUND ABSORPTION CURVE

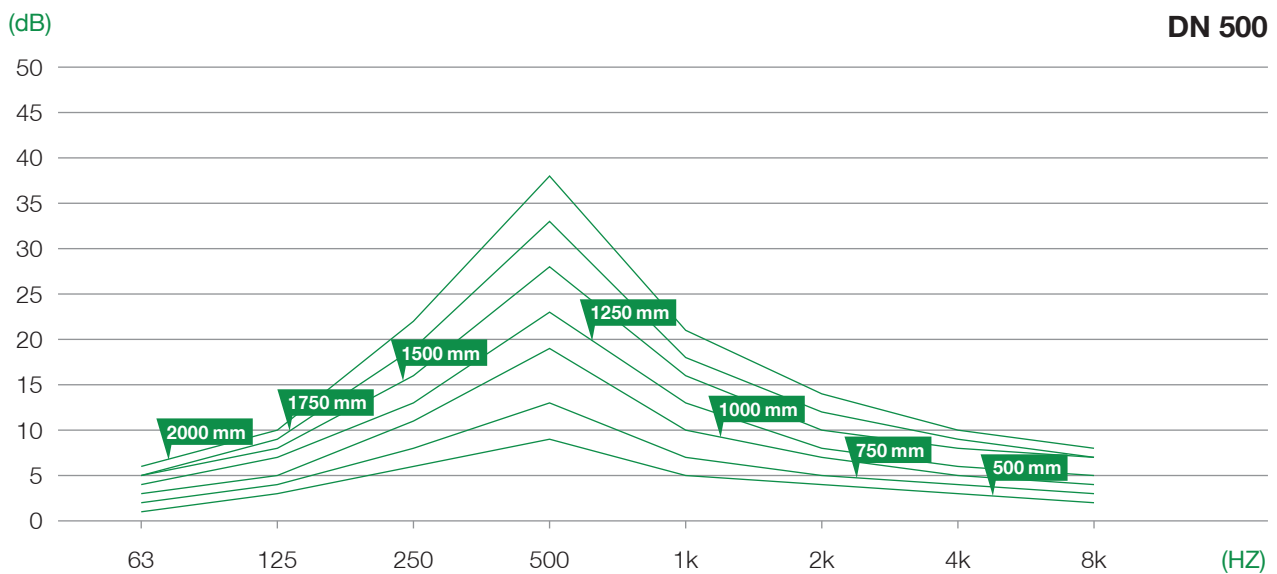
Material: PVC-U grey & white / PE-HD / PP-H / PPs / PP-EL-s / PVDF



All dimension in mm
We reserve the right to change dimension and design.



Test according to DIN EN ISO 7235 by the independent test institute IFI Institute for Industrial Aerodynamics

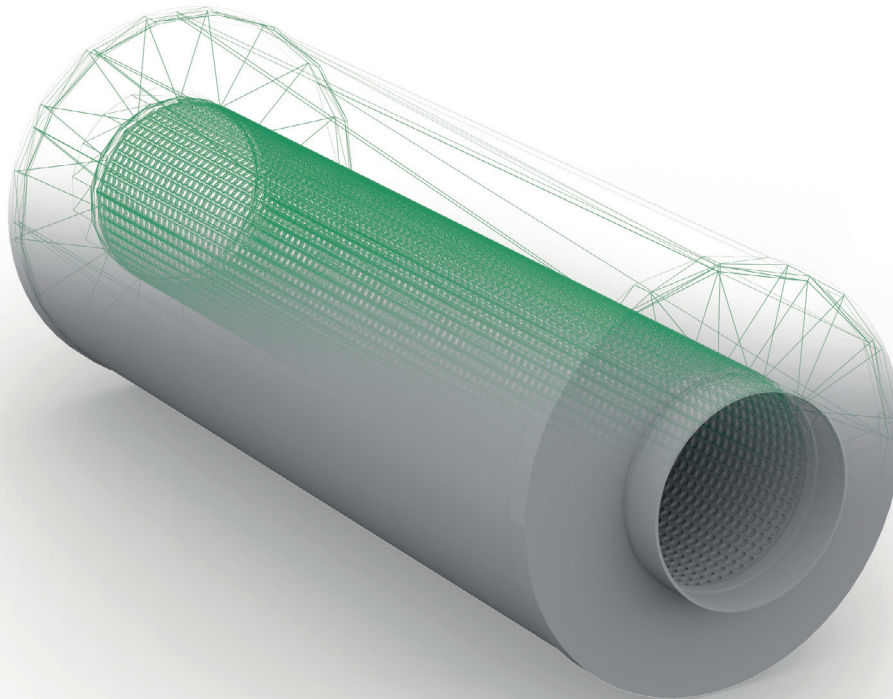


Test according to DIN EN ISO 7235 by the independent test institute IFI Institute for Industrial Aerodynamics

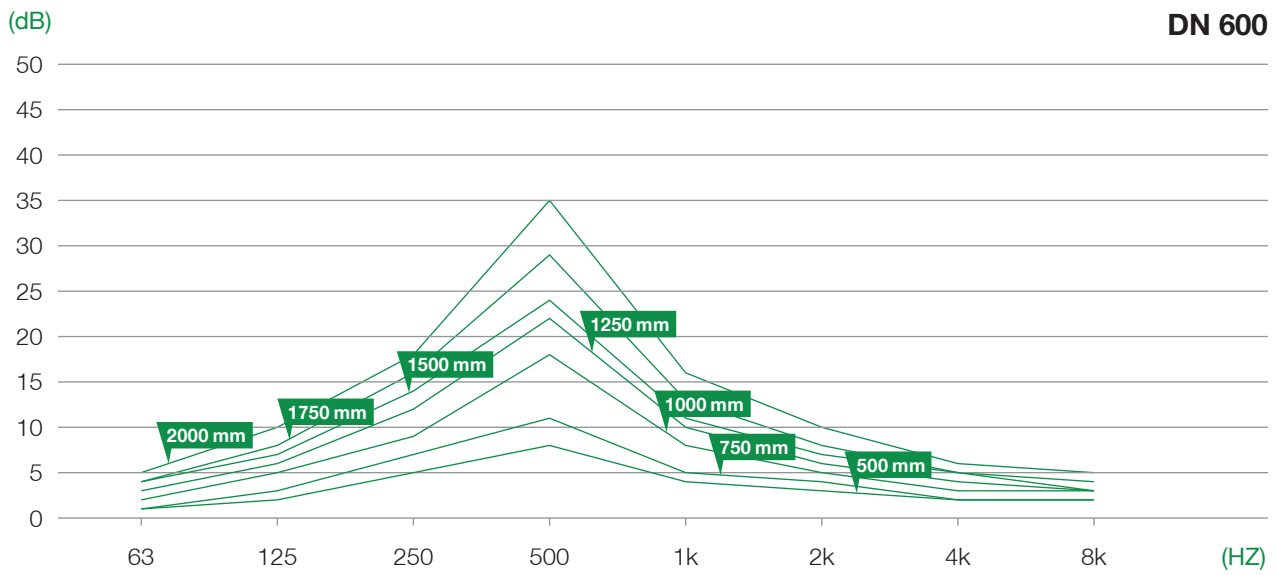
HOKA SOUND ATTENUATOR (REDUCER)

SOUND ABSORPTION CURVE

Material: PVC-U grey & white / PE-HD / PP-H / PPs / PP-EL-s / PVDF



All dimension in mm
We reserve the right to change dimension and design.



Test according to DIN EN ISO 7235 by the independent test institute IFI Institute for Industrial Aerodynamics

HoKa Gesellschaft für Lüftungsteile aus Kunststoffen mbH

Reutherstraße 12 . 53773 Hennef, Germany

Phone: +49 2242 9251-0

E-mail: hoka@hoka.de

www.hoka.de

